

Notice



All information contained in this manual is based on the latest product information at the time of publication. Bajaj Auto Limited accepts no liability for any inaccuracies or omissions in this publication, although every possible care has been taken to make it as complete and accurate as possible. All procedures and specifications subject to change without prior notice. The right is reserved to make such changes at any time without prior notice and without incurring an obligation to make such changes to product manufactured previously. Contact your authorized Bajaj Dealer for the latest information on product improvements incorporated after this manual was issued.

DOC. NO.: 71110779

REV.05, OCT 14

Revision No. & Change Details



REV. NO., MM YY	SR. NO.	PART NUMBER	DESCRIPTION	QTY.	PAGE NO.	A: Add D: Delete C: Change	Reason for change	
02 APR 13	6	30 1511 05	Shoe Brake Assly	1	68	C		
03 JAN 14	2	DJ 1013 73	Camshaft Assembly	1	8	C	Changed from DJ 1013 72	
	6	JF 4014 00	Control switch LH	1	72	A		
	7	JF 4014 01	Control switch RH	1	72	A		
	1	DJ 1910 84	Speedometer	1	84	A	Refer service circular C-45	
	7	DJ 2012 50	Wiring Harness	1	96	A		
	18	DT 4020 06	Light Control Module	1	96	A		
	19	DJ 1613 27	Bracket LCM Unit	1	96	A		
	20	KA DF06 10	Flange Bolt	1	96	A		
	04 May 14	1	52 DJ05 46	P Tank M Bk+S Blue Dcl	1	80	A	F-41 Dated 29-04-2014
			52 DJ05 45	P Tank M Bk+W Red Dcl	1	80	A	F-41 Dated 29-04-2014
		52 DJ05 47	P Tank M Bk+M Wh Dcl	1	80	A	F-41 Dated 29-04-2014	
2		52 DJ05 17	Fairing Bk+Saf Blue Dcl	1	80	A	F-41 Dated 29-04-2014	
		52 DJ05 19	Fairing Bk+W Red Dcl	1	80	A	F-41 Dated 29-04-2014	
		52 DJ05 18	Fairing Bk+M White Dcl	1	80	A	F-41 Dated 29-04-2014	
3		36 DJ40 39	Kit Fairing Dcl S Blue	1	80	A	F-41 Dated 29-04-2014	
		36 DJ40 37	Kit Fairing Dcl W Red	1	80	A	F-41 Dated 29-04-2014	
		36 DJ40 38	Kit Fairing Dcl M White	1	80	A	F-41 Dated 29-04-2014	
4		36 DJ40 46	Kit Tank Dcl W Red	1	80	A	F-41 Dated 29-04-2014	
		36 DJ40 48	Kit Tank Dcl S Blue	1	80	A	F-41 Dated 29-04-2014	
		36 DJ40 47	Kit Tank Dcl M Metallic	1	80	A	F-41 Dated 29-04-2014	
5		52 DJ05 20	Fr Fender Assly S Blue	1	80	A	F-41 Dated 29-04-2014	
		52 DJ05 22	Fr Fender Assly W Red	1	80	A	F-41 Dated 29-04-2014	
		52 DJ05 21	Fr Fender Assly M White	1	80	A	F-41 Dated 29-04-2014	
6		52 DJ05 32	Cover Side LH S Blue	1	80	A	F-41 Dated 29-04-2014	
		52 DJ05 36	Cover Side LH W Red	1	80	A	F-41 Dated 29-04-2014	
		52 DJ05 34	Cover Side LH M White	1	80	A	F-41 Dated 29-04-2014	
7		52 DJ05 33	Cover Side RH S Blue	1	80	A	F-41 Dated 29-04-2014	
		52 DJ05 37	Cover Side RH W Red	1	80	A	F-41 Dated 29-04-2014	

Revision No. & Change Details



REV. NO., MM YY	SR. NO.	PART NUMBER	DESCRIPTION	QTY.	PAGE NO.	A: Add D: Delete C: Change	Reason for change
		52 DJ05 35	Cover Side RH M White	1	80	A	F-41 Dated 29-04-2014
	8	36 DK01 05	Kit Pulsar Dcl Satin Cr-LH	1	80	A	F-41 Dated 29-04-2014
		36 DK01 06	Kit Pulsar Dcl Satin Cr-RH	1	80	A	F-41 Dated 29-04-2014
	9	36 DJ40 44	Kit S Cover Dcl M White	1	80	A	F-41 Dated 29-04-2014
		36 DJ40 45	Kit S Cover Dcl S Blue	1	80	A	F-41 Dated 29-04-2014
		36 DJ40 43	Kit S Cover Dcl W Red	1	80	A	F-41 Dated 29-04-2014
	10	52 DJ05 25	Flap LH Black+M White Dcl	1	80	A	F-41 Dated 29-04-2014
		52 DJ05 23	Flap LH Black+S Blue Dcl	1	80	A	F-41 Dated 29-04-2014
		52 DJ05 27	Flap LH Black+W Red Dcl	1	80	A	F-41 Dated 29-04-2014
	11	52 DJ05 26	Flap RH Black+M White Dcl	1	82	A	F-41 Dated 29-04-2014
		52 DJ05 24	Flap RH Black+S Blue Dcl	1	82	A	F-41 Dated 29-04-2014
		52 DJ05 28	Flap RH Black+W Red Dcl	1	82	A	F-41 Dated 29-04-2014
	12	36 DJ40 50	Kit Tank Spoiler Dcl M Wh.	1	82	A	F-41 Dated 29-04-2014
		36 DJ40 51	Kit Tank Spoiler Dcl S Blue	1	82	A	F-41 Dated 29-04-2014
		36 DJ40 49	Kit Tank Spoiler Dcl W Red	1	82	A	F-41 Dated 29-04-2014
	13	36 DJ40 41	Kit S Cowl Dcl M White	1	82	A	F-41 Dated 29-04-2014
		36 DJ40 42	Kit S Cowl Dcl S Blue	1	82	A	F-41 Dated 29-04-2014
		36 DJ40 40	Kit S Cowl Dcl W Red	1	82	A	F-41 Dated 29-04-2014
	14	56 DK45 54	Seat Cowl M White	1	82	A	F-41 Dated 29-04-2014
		56 DK45 5N	Seat Cowl S Blue	1	82	A	F-41 Dated 29-04-2014
	56 DK45 27	Seat Cowl W Red	1	82	A		
05 OCT 14	1	52 DJ06 25	P Tank E Black+ Crome Dcl	1	80	A	F-42 Dated 30.06.14
	2	52 DJ05 66	Fairing E Black+Crome Dcl	1	80	A	F-42 Dated 30.06.14
	3	36 DH40 73	Kit Fairing Dcl E Black Crome	1	80	A	F-42 Dated 30.06.14
	10	52 DJ05 67	Flap LH E Black+ Crome	1	82	A	F-42 Dated 30.06.14
	11	52 DJ05 68	Flap RH E Black+ Crome	1	82	A	F-42 Dated 30.06.14
	12	36 DJ40 53	Kit T Spoiler E Black-Crome	1	82	A	F-42 Dated 30.06.14
	13	36 DJ40 52	Kit S Cowl E Black-Crome	1	82	A	F-42 Dated 30.06.14
	14	56 DK45 X3	Seat Cowl E Black	1	82	A	F-42 Dated 30.06.14

Foreword



We have pleasure in presenting the Spare Parts Catalogue for 'Pulsar 180' Motorcycle (UG IV). This catalogue has been specially designed to assist you in selecting the correct parts for procurement to maintain 100% availability.

The Bajaj spares are subjected to the stringent quality control standards to ensure longer life of the vehicle. It is therefore necessary that only the Genuine Bajaj Spares are used.

In a continual effort to improve Performance and Efficiency of the vehicles, Specifications, Diagrams, Illustrations and Part Numbers can change without notice. Consequently, the description in this Spare Parts Catalogue cannot therefore be final and binding on us.

The modifications / alterations which are carried out after the issue of this catalogue, will be conveyed to you through our Service Circulars. You are requested to make necessary corrections in the Parts Catalogue as per the circulars so as to keep your catalogue up-to-date. This will ensure the appropriate and speedy delivery of the Spare Parts as the order placed will bear the latest part numbers.

In case, if you need any technical assistance contact the concerned Regional Office or write to us on the following address :

Bajaj Auto Limited

Service Department

Akurdi, Pune 411 035 India

Phone : 020-27406557

Fax : 020-27407385

Instructions



1. How to Read the Catalogue : Open the catalogue and from the pictorial index locate the group in which the part you want to find is present. Turn over to the concerned page number (as given by pictorial index). Now find out the figure of the part you wish to order. Write down the part number against that particular figure number from the text.

In case, if you have the part number and you need the other details, the part index can be used. The part index (at the end of the catalogue) will give you the figure and page number of the part you wish to order.

2. How to Order Spare Parts : The part number and the description of the part required should be invariably mentioned in the order as per the catalogue text.

The latest part number as conveyed through our service circulars should only appear on the order. In case of ordering painted components, colour shade of the components should be mentioned.

The quantity shown against the part number is the quantity per vehicle for that group so that particular quantity should be multiplied by the number of sets required.

3. Part Number System : We have used 8 digit system for part numbers. The model or hardware item is indicated by first two digits or alphanumeric, the next two or four digits indicate main group and the last four or two digits indicate serial number in main group or serial number or subgroup of fastener respectively. Thus the part numbers will be indicated by 2-2-4 or 2-4-2 digit system. Understanding this system will enable you to identify the spare parts easily.

4. Abbreviations : The following abbreviations are used in this catalogue.

Assly	Assembly	V	Volts
N.I.	Not illustrated	W	Watts
C'case	Crankcase	Accl.	Accelerator
Cyl	Cylinder	Comp.	Complete
O/s	Over size	Fr.	Front
Rr.	Rear	Std.	Standard
L	Length	A/t.	Alternate
R.H.	Right hand	L.H.	Left hand
Hex.	Hexagonal	AR	As required

Plate No.	Description	Page No.
1	Cover Cylinder Head	2
2	Cylinder Head	4
3	Valve	6
4	Camshaft / Tensioner	8
5	Cylinder & Piston	10
6	Crankshaft	12
7	Balancer & Balancer Idler Gear	14
8	Transmission	16
9	Change Drum / Shift Fork	18
10	Gear Change Mechanism	20
11	Engine Assly. & Crankcase RH	22
12	Crankcase LH	24
13	Cover RH	26
14	Cover Magneto	28
15	Clutch	30
16	Carburettor	32
17	Air Cleaner Comp	34
18	Silencer Assly.	36
19	Oil Pump	38
20	Starter Assly.	40
21	Magneto / C.D.I. /H.T. Coil	42
22	Seat Assembly / Seat Lock	44
23	Engine Mounting	46
24	Frame & Frame Fittings	48
25	Swing Arm / Rear Shock Absorber	50
26	Rider Foot Rest	52
27	Pillion Foot Rest / Holder	54
28	Mudguard - Front & Rear	56
29	Stand Assembly	58
30	Tube / Tyre / Rim	60

Plate No.	Description	Page No.
31	Front Hub (For Disc Brake System)	62
32	Front Master Cylinder	64
33	Front Disc Brake	66
34	Rear Hub	68
35	Rear Brake Padal	70
36	Handle Bar	72
37	Front Fork	74
38	Painted Parts & Decals	76, 78
39	Petrol Cock, Cap Tank & Gauge Fuel	80
40	Fitting Petrol Tank Spoiler, Side Cover, Seat Cover	82
41	Meter Assly	84
42	Control Cables	86
43	Chain Cover	88
44	Head Lamp & Fairing	90
45	Indicator Light Assly	92
46	Tail Lamp Assly / Front & Rear No.Plate	94
47	Electrical Component	96
48	Tool Kit	98
49	Accessories / Grab Handle	100

Pictorial Index

PLATE NO. : 1
Cover Cylinder Head

PAGE NO.
1 & 2

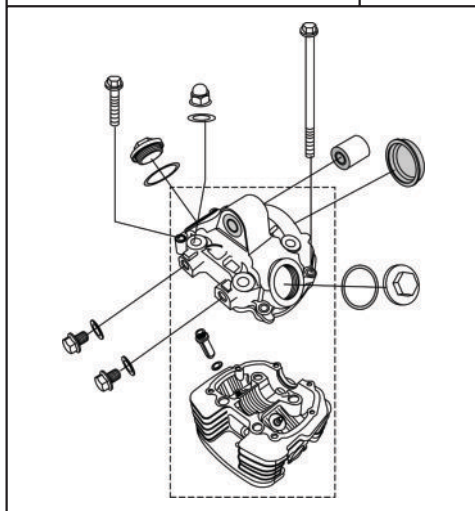


PLATE NO. : 2
Cylinder Head

PAGE NO.
3 & 4

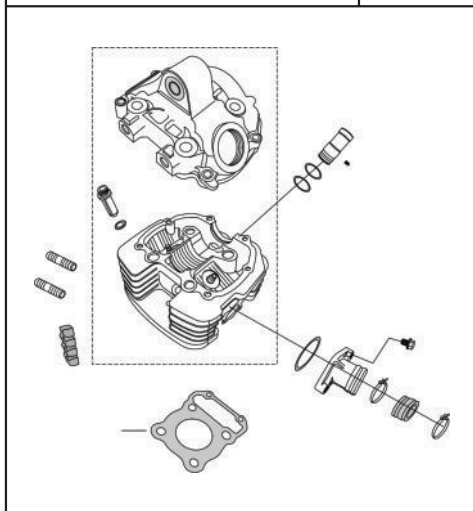


PLATE NO. : 3
VALVE

PAGE NO.
5 & 6

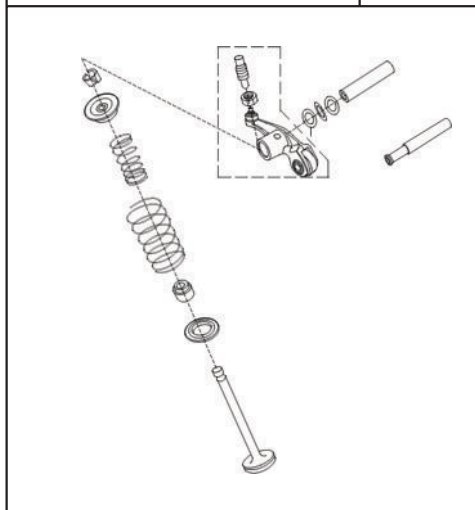
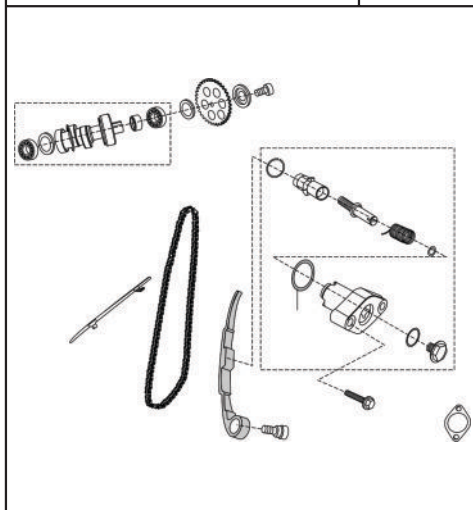


PLATE NO. : 4
Camshaft / Tensioner

PAGE NO.
7 & 8



Pictorial Index

PLATE NO. : 5
CYLINDER & PISTON

PAGE NO.
9 & 10

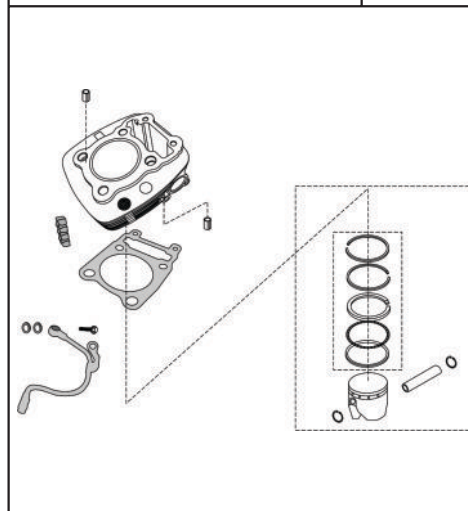


PLATE NO. : 6
CRANKSHAFT

PAGE NO.
11 & 12

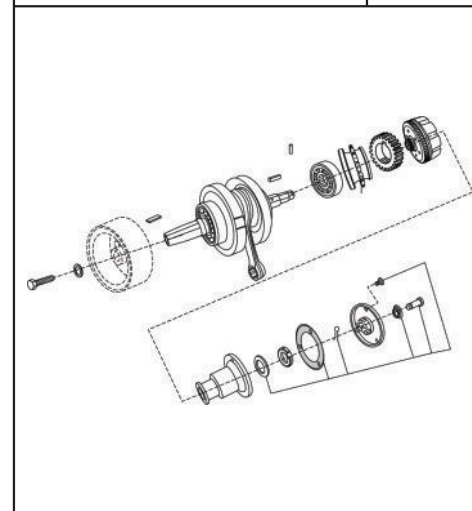


PLATE NO. : 7
Balancer & Balancer Idler Gear

PAGE NO.
13 & 14

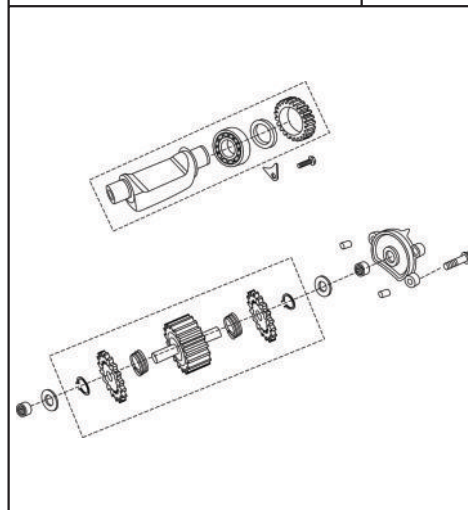
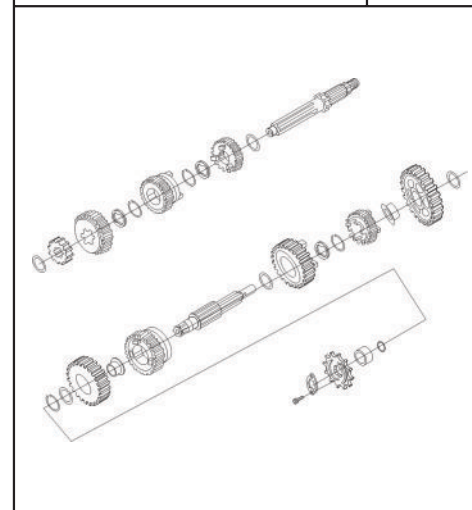


PLATE NO. : 8
CHANGE DRUM / SHIFT FORK

PAGE NO.
15 & 16



Pictorial Index

PLATE NO. : 9
Change Drum / Shift Fork

PAGE NO.
17 & 18

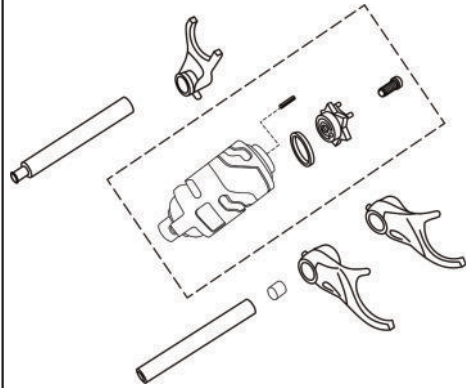


PLATE NO. : 10
Gear Change Mechanism

PAGE NO.
19 & 20



PLATE NO. : 11
Engine Assly. & Crankcase RH

PAGE NO.
21 & 22

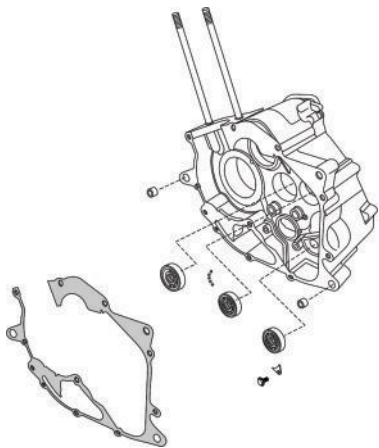
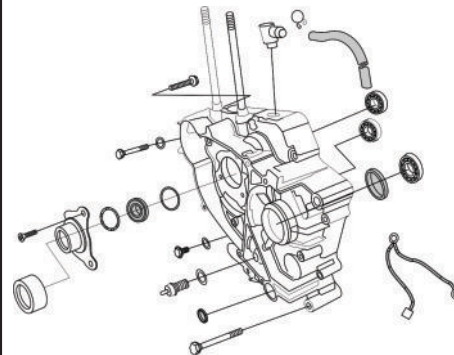


PLATE NO. : 12
Crankcase LH

PAGE NO.
23 & 24



Pictorial Index

PLATE NO. : 13
Cover RH

PAGE NO.
25 & 26

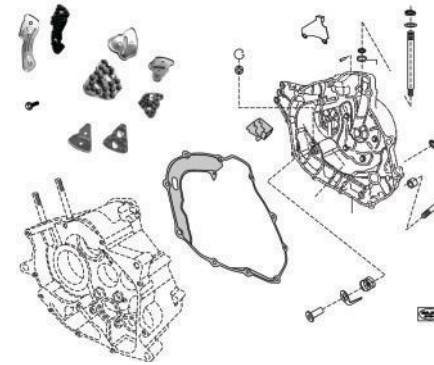


PLATE NO. : 14
Cover Magneto

PAGE NO.
27 & 28

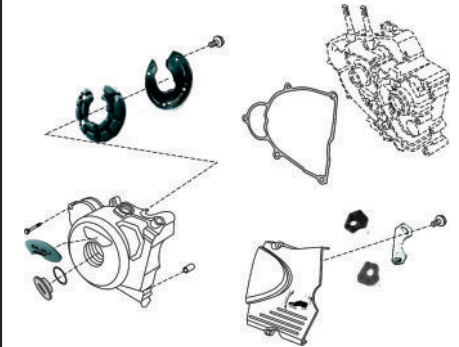


PLATE NO. : 15
CLUTCH

PAGE NO.
29 & 30

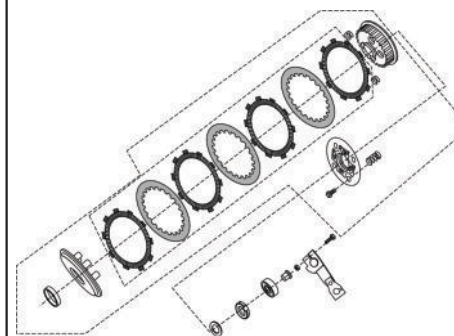
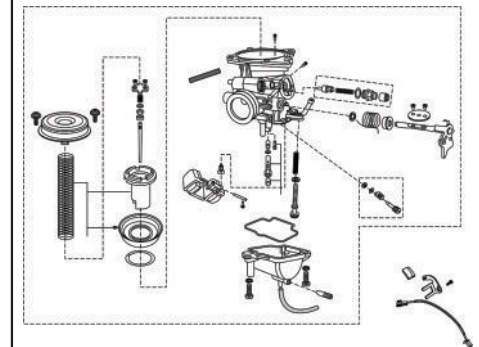


PLATE NO. : 16
Carburettor

PAGE NO.
31 & 32



Pictorial Index

PLATE NO. : 17
Air Cleaner Comp

PAGE NO.
33 & 34

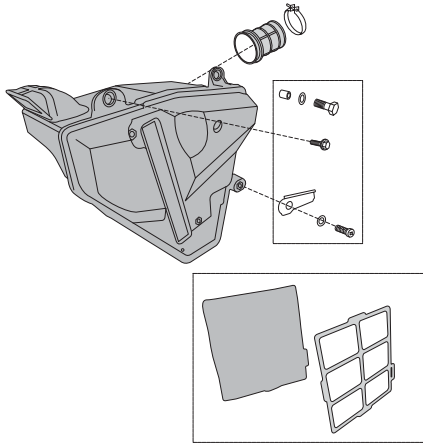


PLATE NO. : 18
Silencer Assly.

PAGE NO.
35 & 36

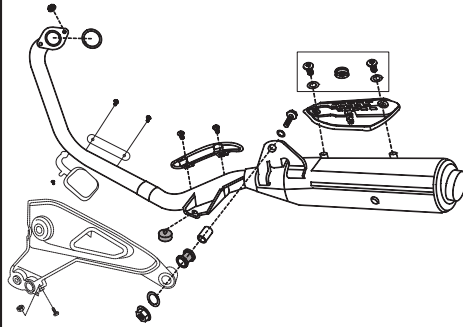


PLATE NO. : 19
Oil Pump

PAGE NO.
37 & 38

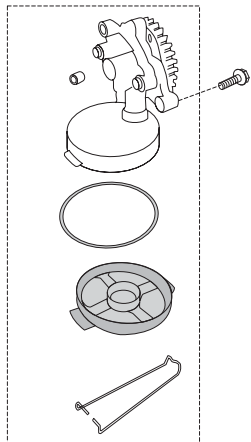
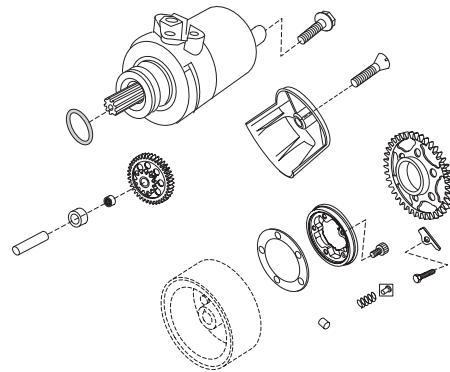


PLATE NO. : 20
Starter Assly.

PAGE NO.
39 & 40



Pictorial Index

PLATE NO. : 21
Magneto / C.D.I. /H.T. Coil

PAGE NO.
41 & 42

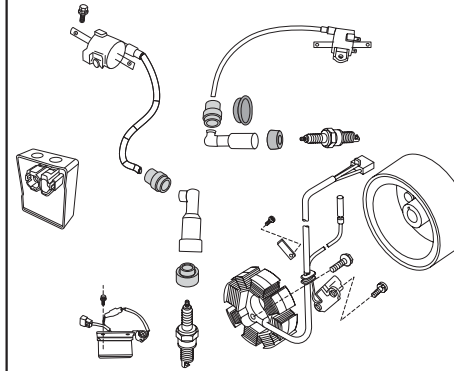


PLATE NO. : 22
Seat Assembly / Seat Lock

PAGE NO.
43 & 44

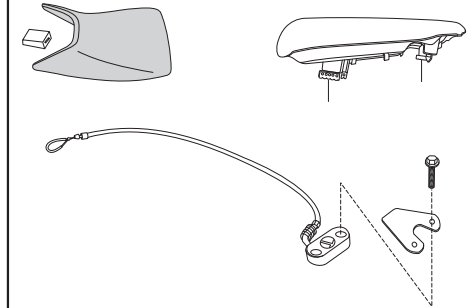


PLATE NO. : 19
Oil Pump

PAGE NO.
37 & 38

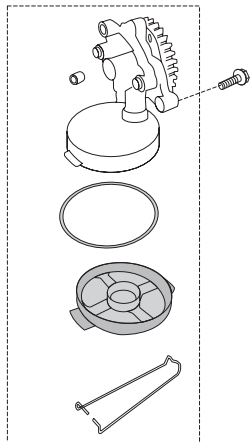


PLATE NO. : 20
Starter Assly.

PAGE NO.
39 & 40

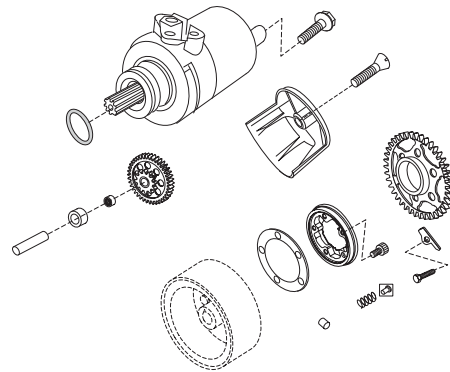


PLATE NO. : 23
Engine Mounting

PAGE NO.
45 & 46

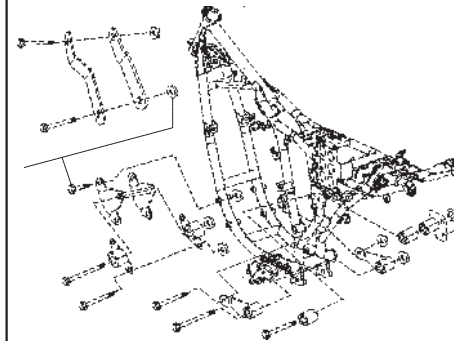
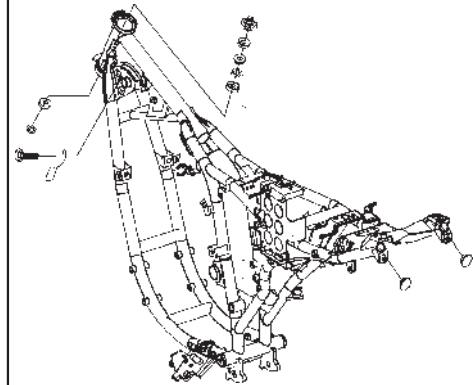


PLATE NO. : 24
Frame & Frame Fittings

PAGE NO.
47 & 48



Pictorial Index

PLATE NO. : 25
Swing Arm / Rear Shock Absorber

PAGE NO.
49 & 50

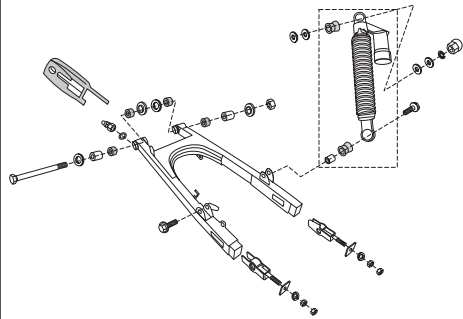


PLATE NO. : 26
Rider Foot Rest

PAGE NO.
51 & 52

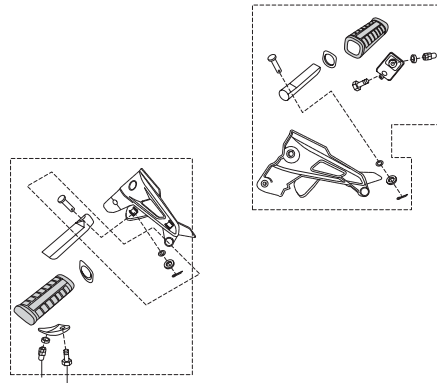


PLATE NO. : 27
Pillion Foot Rest / Holder

PAGE NO.
53 & 54

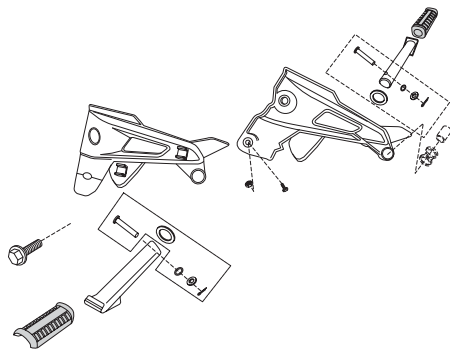
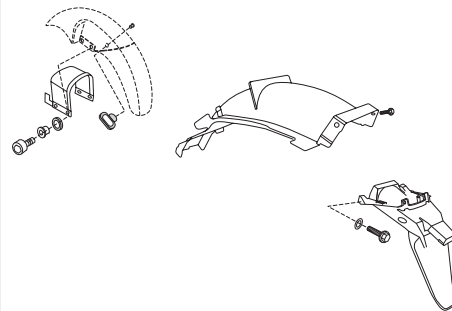


PLATE NO. : 28
Mudguard - Front & Rear

PAGE NO.
55 & 56



Pictorial Index

PLATE NO. : 29
Stand Assembly

PAGE NO.
57 & 58

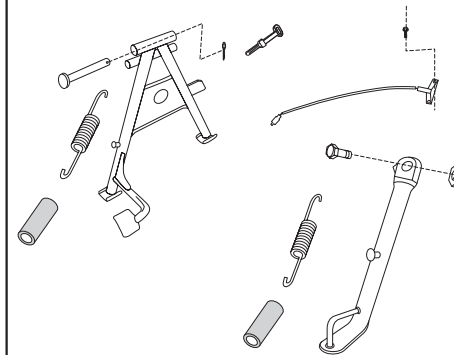


PLATE NO. : 30
Tube / Tyre / Rim

PAGE NO.
59 & 60



PLATE NO. : 31
Front Hub (For Disc Brake System)

PAGE NO.
61 & 62

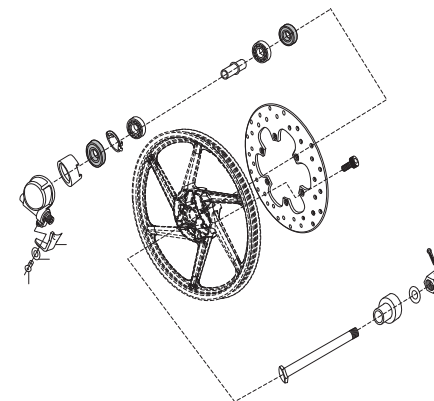
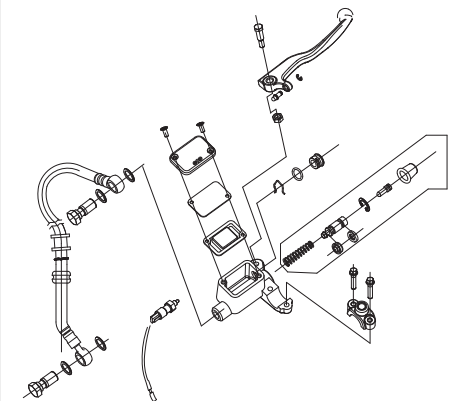


PLATE NO. : 32
Front Master Cylinder

PAGE NO.
63 & 64



Pictorial Index

PLATE NO. : 33
Front Disc Brake

PAGE NO.
65 & 66

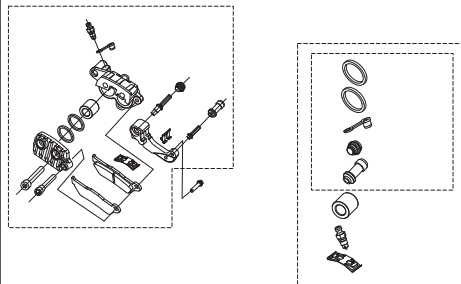


PLATE NO. : 34
Rear Hub

PAGE NO.
67 & 68

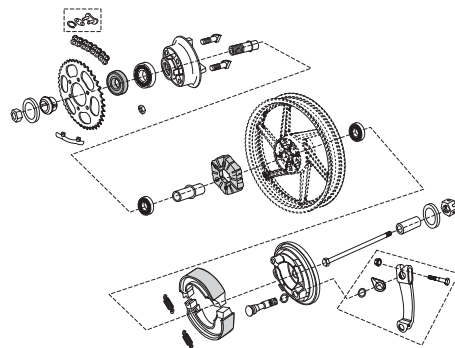


PLATE NO. : 35
Rear Brake Pedal

PAGE NO.
69 & 70

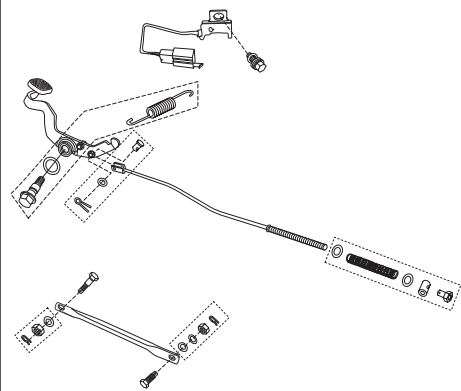
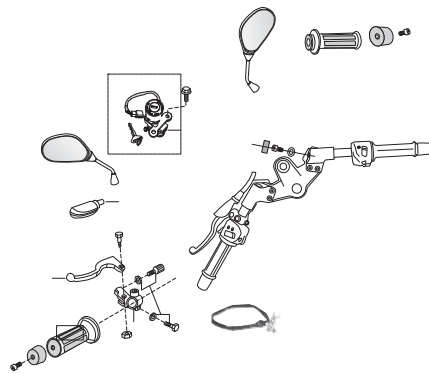


PLATE NO. : 36
Handle Bar

PAGE NO.
71 & 72



Pictorial Index

PLATE NO. : 37
Front Fork

PAGE NO.
73 & 75

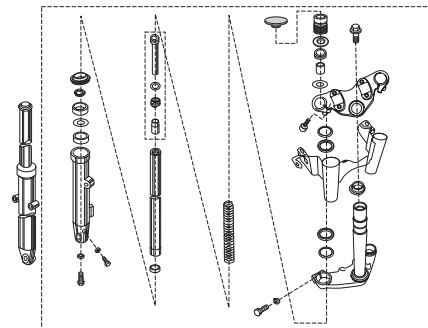


PLATE NO. : 38
Painted Parts & Decals

PAGE NO.
75/76/77/78

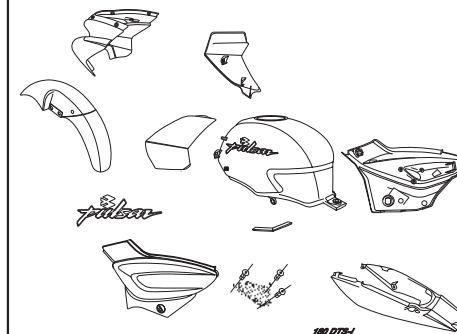


PLATE NO. : 39
Petrol Cock, Cap Tank & Gauge Fuel

PAGE NO.
79 & 80

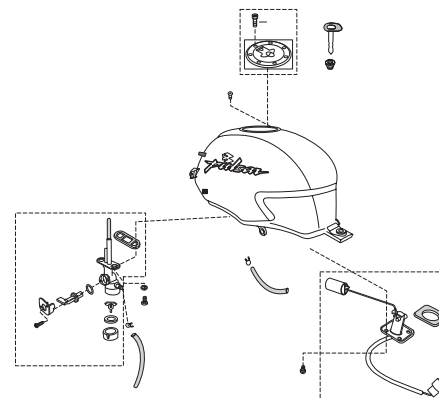
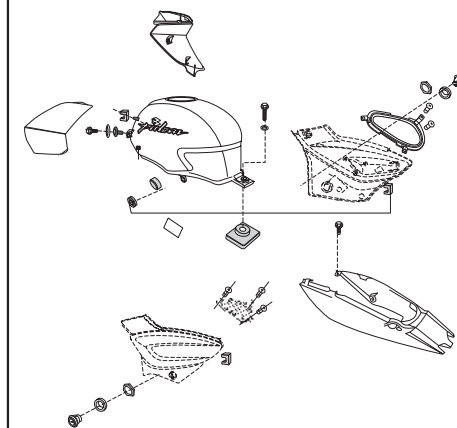


PLATE NO. : 40
Fitting Petrol Tank Spoiler, Side
Cover, Seat Cover

PAGE NO.
81 & 82



Pictorial Index

PLATE NO. : 41
Meter Assly

PAGE NO.
83 & 84

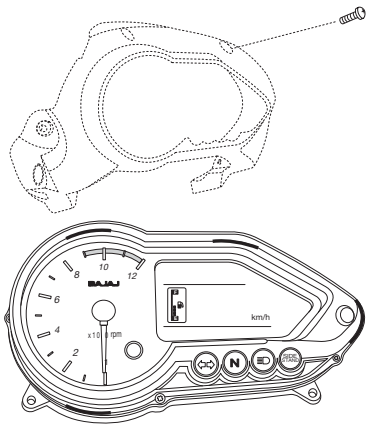


PLATE NO. : 42
Control Cables

PAGE NO.
85 & 86

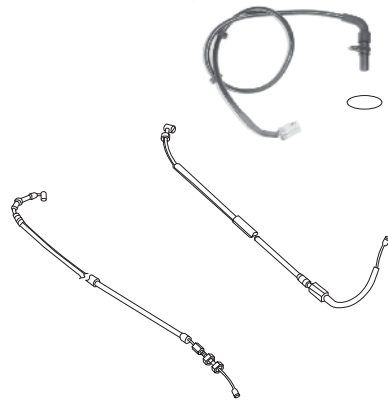


PLATE NO. : 43
Chain Cover

PAGE NO.
87 & 88

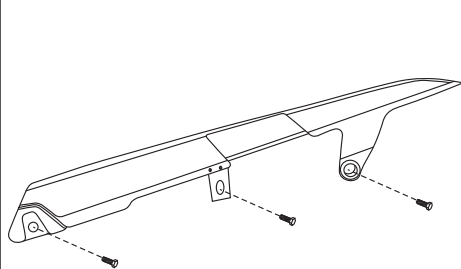
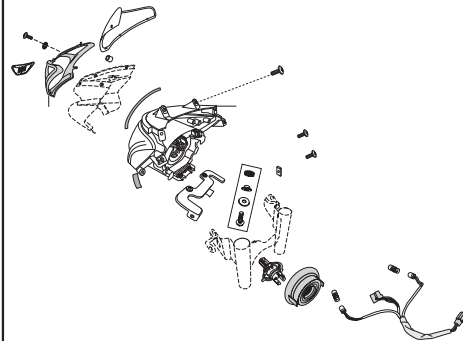


PLATE NO. : 44
Head Lamp & Fairing

PAGE NO.
89 & 90



Pictorial Index

PLATE NO. : 45
Indicator Light Assly

PAGE NO.
91 & 92

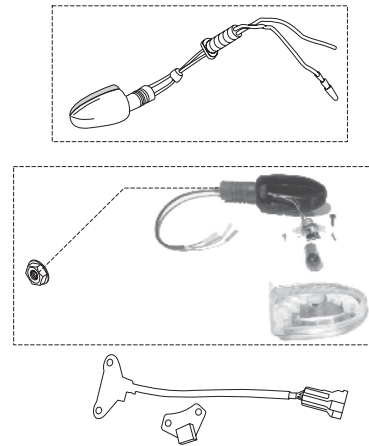


PLATE NO. : 46
Tail Lamp Assly / Front & Rear No.Plate

PAGE NO.
93 & 94

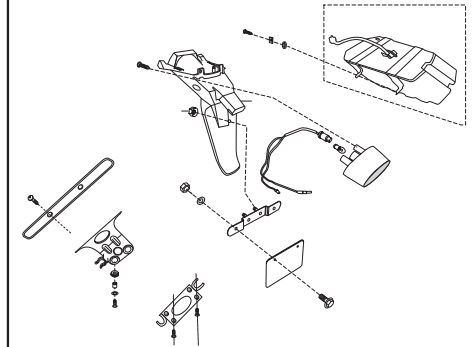


PLATE NO. : 47
Electrical Components

PAGE NO.
95 & 96

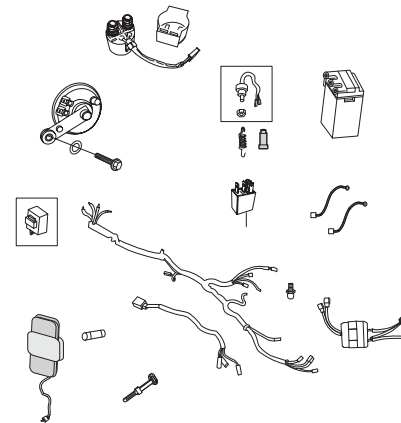


PLATE NO. : 48
Tool Kit

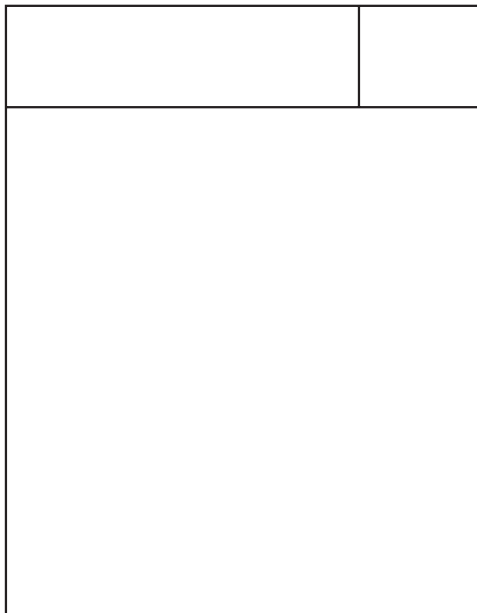
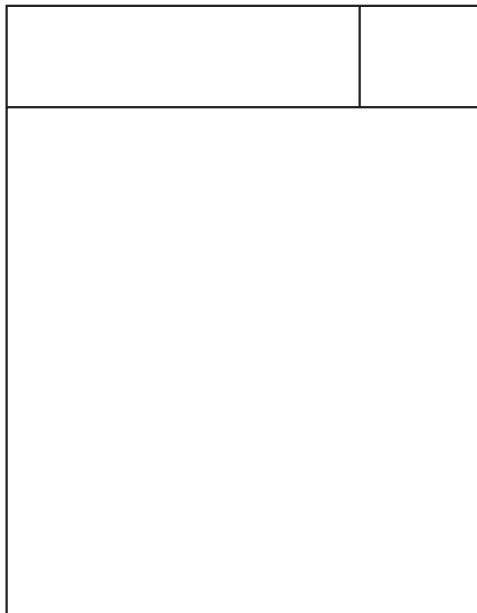
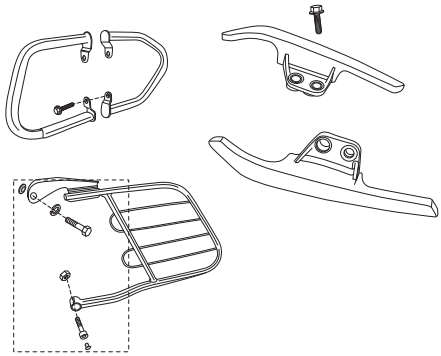
PAGE NO.
97 & 98



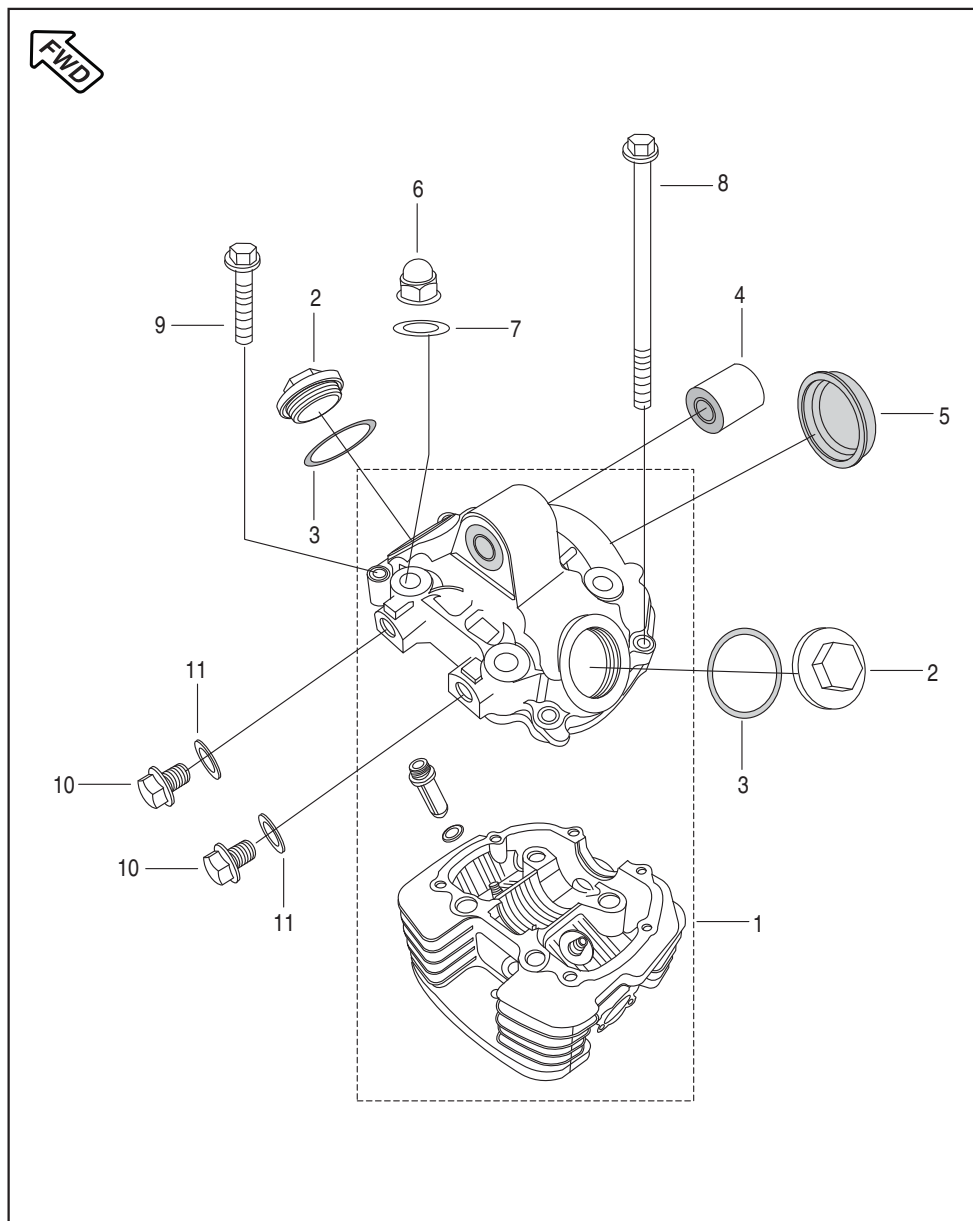
Pictorial Index

PLATE NO. : 49
Accessories / Grab Handle

PAGE NO.
99 & 100

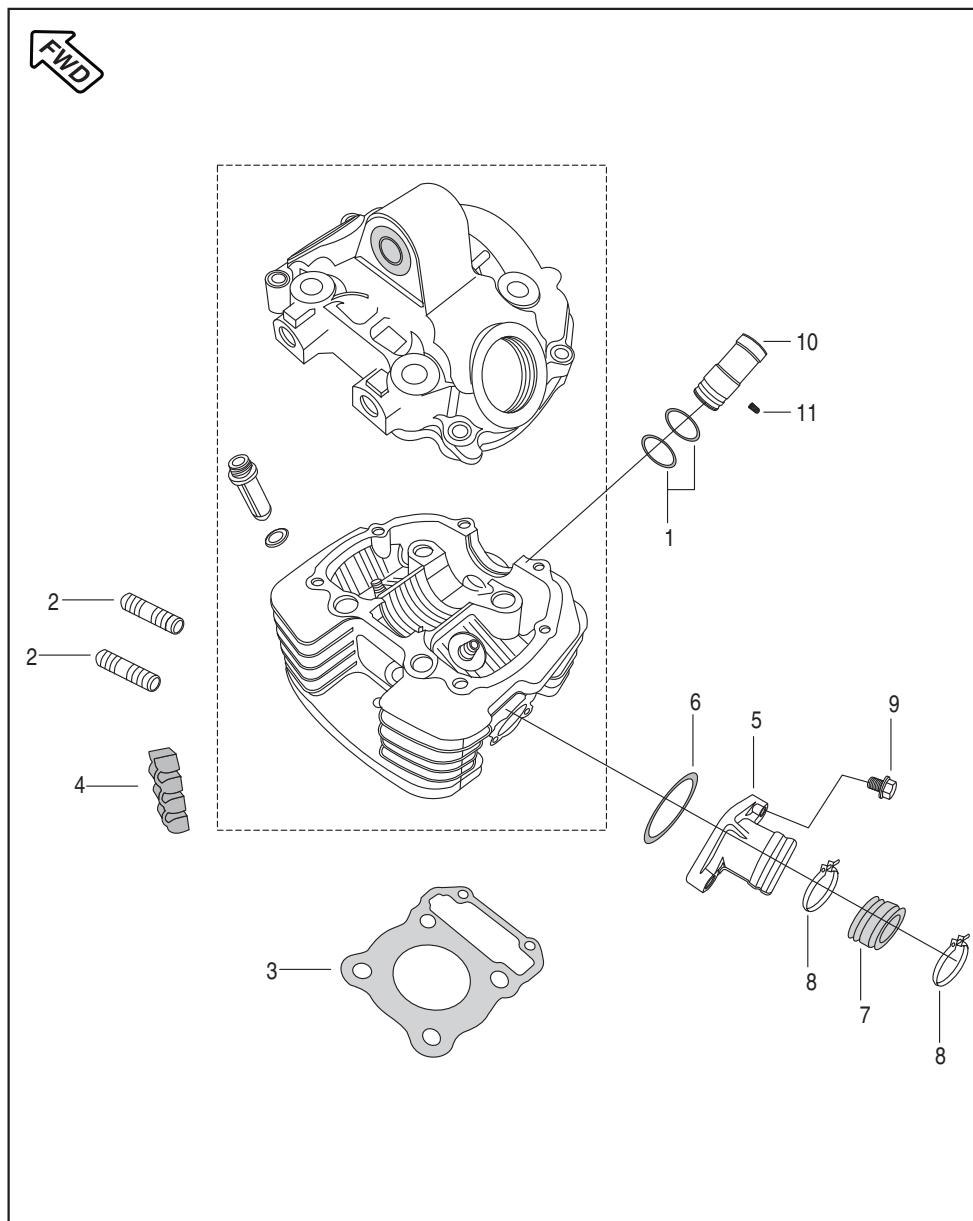


Cover Cylinder Head



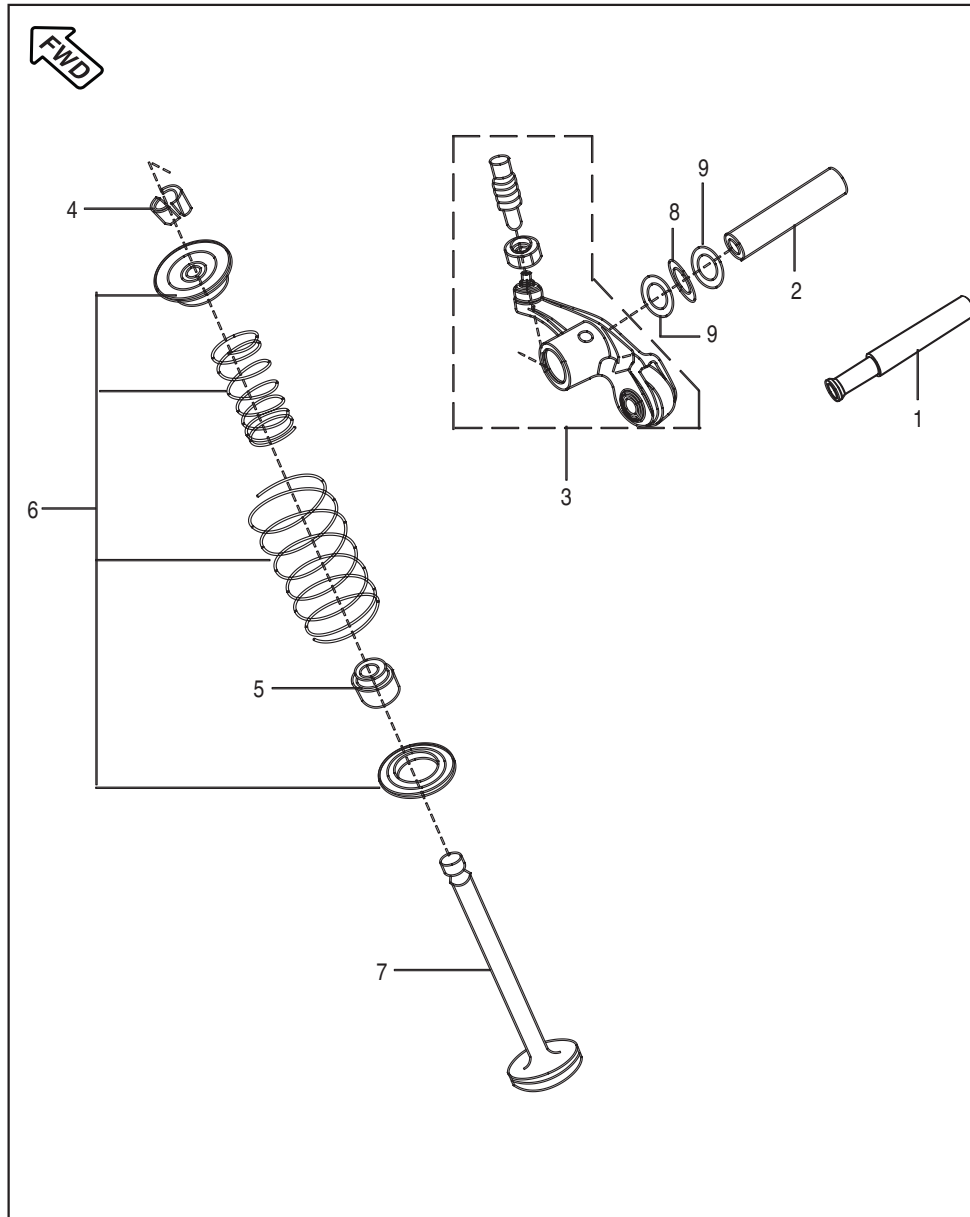
No.	Part No.	Description	Qty. /Veh.	Remarks
1	DJ 1013 90	Head Cylinder with Cover	1	
	36 DJ40 34	Kit Asly Cyl Head with Cover	1	From 07.10.2011
2	DJ 1012 17	Cover Tappet	2	
3	36 DS10 01	'O' Ring Kit for Cover Cyl. Head	1	Ref. Page No. 101
4	DS 1011 66	Silent Bush	1	
5	DS 1010 96	Camshaft Cap	1	
6	39 2647 15	Domed Cap Nut	4	
7	DS 1010 84	Copper Washer	4	
8	39 2532 04	Hex. Bolt with Flange	2	
9	39 1075 04	Hex. Bolt / Flange	4	
10	DH 1012 72	Plug	2	
11	DG 1014 98	Gasket	2	Alt. 31101106

Cylinder Head



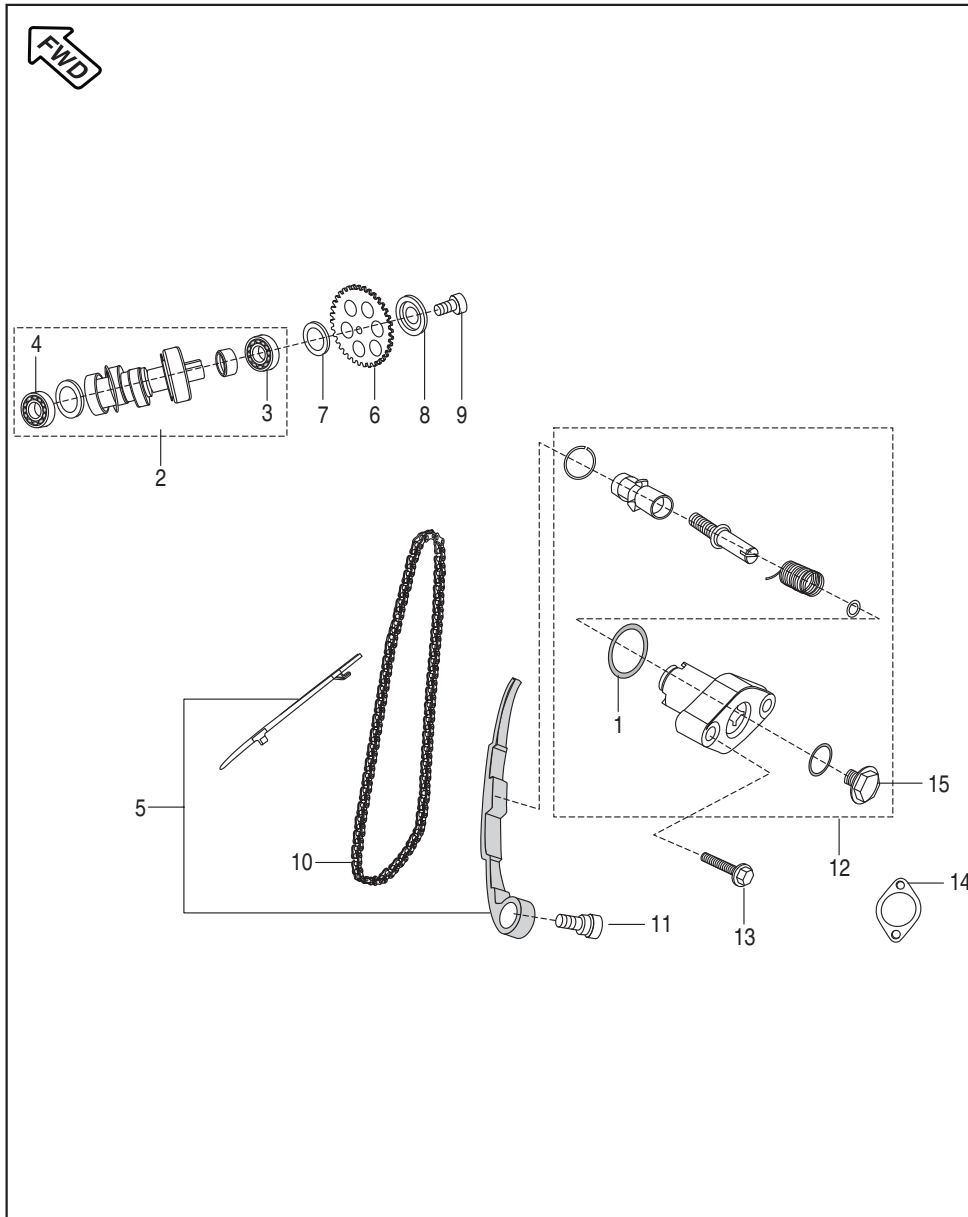
No.	Part No.	Description	Qty. /Veh.	Remarks
1	36 DS10 01	'O' Ring Kit for Cover Cyl. Head	1	Ref. Page No.101
2	39 1660 05	Stud (Exhaust)	2	
3	DJ 1010 12	Gasket Cylinder Head	1	
4	DH 1015 08	Damper Cylinder Head	5	
5	DJ 1012 15	Intake Pipe	1	
6	39 2539 21	'O' Ring (Intake Pipe)	1	
7	DJ 1210 22	Carburettor Insulator	1	
8	DH 1210 38	Clamp for Insulator	2	
9	39 1674 04	Hex. Bolt / Flange	2	
10	DH 1110 12	Sleeve - Spark Plug	1	
11	39 2608 01	Grub Screw	1	For Sleeve Spark Plug

Valve



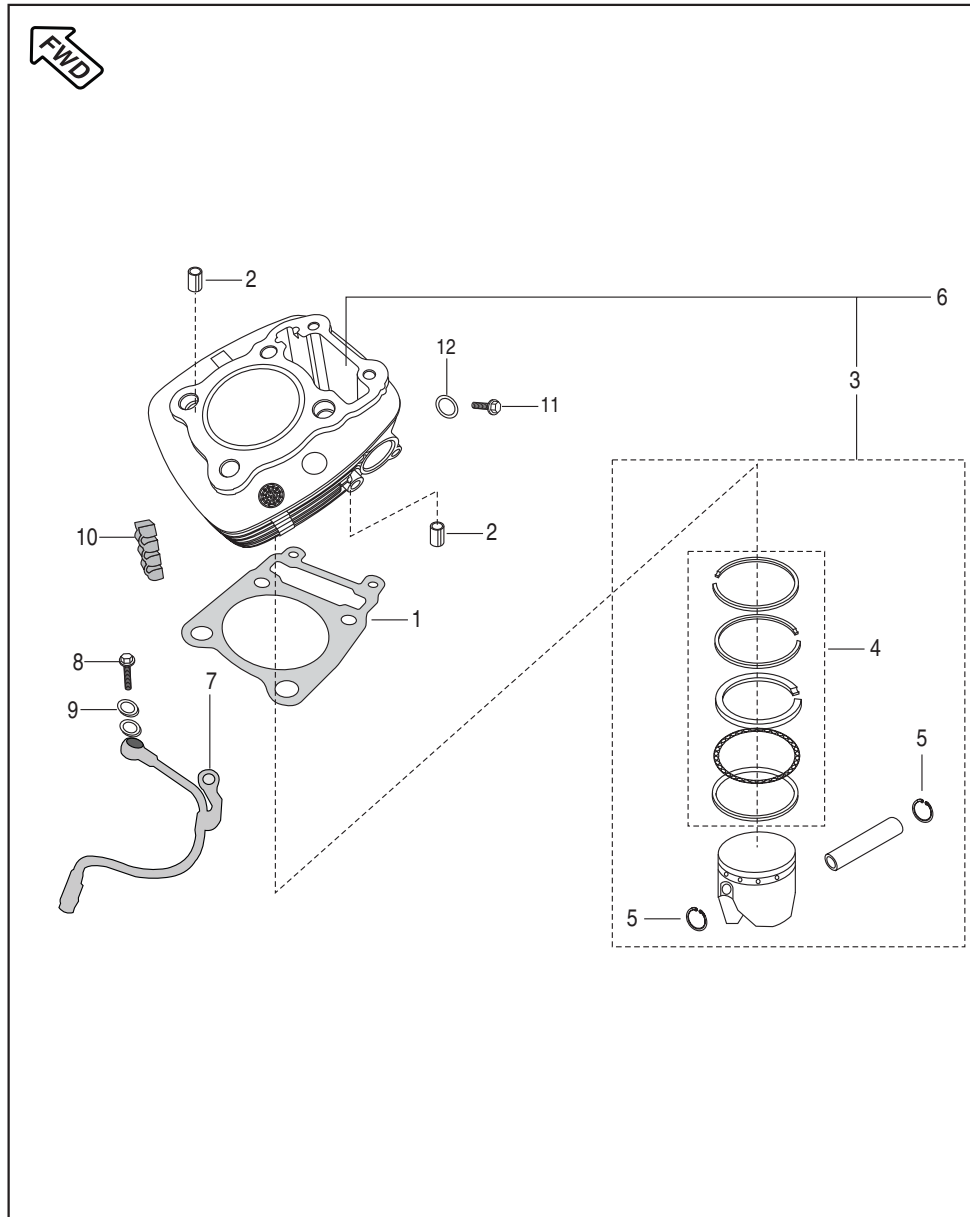
No.	Part No.	Description	Qty./Veh.	Remarks
1	DS 1013 35	Rocker Arm Shaft - Intake	1	
	DK 1017 48	Rocker Arm Shaft - Intake (OD 10 mm)	1	From 07.10.2011
2	DS 1013 36	Rocker Arm Shaft - Exhaust	1	
	DK 1017 51	Rocker Arm Shaft - Exhaust (OD 10 mm)	1	From 07.10.2011
3	DS 1013 33	Rocker Arm with roller	2	
	DK 1017 55	Rocker Arm without roller	2	From 07.10.2011
4	DG 1010 29	Cotter valve	4	
5	39 2017 19	Seal valve stem	2	
6	DK 1013 26	Valve Repair Kit	1	Ref. Page No. 101
7	36 DJ10 04	Valve Kit	1	Ref. Page No. 101
8	DS 1013 66	Wave washer	2	
	DH 1012 95	Wave washer	2	From 07.10.2011
9	59 1100 02	Plain washer	4	
	39 2440 11	Plain washer	4	From 07.10.2011

Camshaft / Tensioner



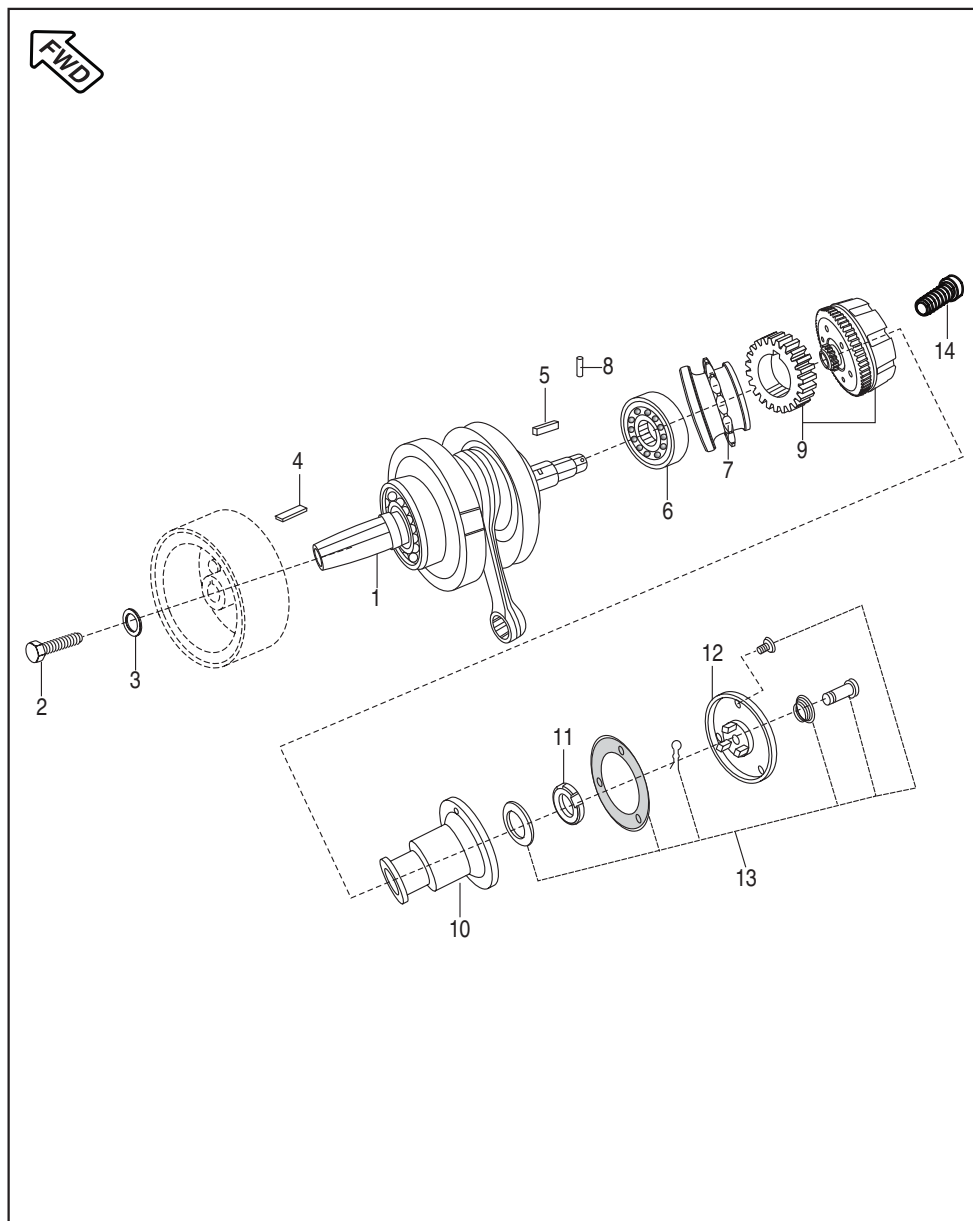
No.	Part No.	Description	Qty. /Veh.	Remarks
1	CS 1011 28	Ring 'O'	1	
2	DJ 1013 73	Camshaft Assembly	1	
3	39 2542 20	Bearing cam RH side	1	
4	39 2617 20	Bearing cam LH side	1	
5	36 DK00 39	Guide chain Kit	1	Refer Page No.101 From 22.08.2010
	36 DH40 30	Guide chain Kit	1	
6	DS 1012 76	Sprocket cam Driven (32 T)	1	
7	DH 1014 12	Collar cam Sprocket	1	
8	DH 1010 48	Special camshaft washer	1	
9	59 0400 31	Hex. Soc. Head cap Bolt	1	
10	JC 1010 35	Cam Chain	1	
11	DH 1013 92	Cam chain Tensioner pivot Bolt	1	
12	JC 1010 34	Tensioner Assly	1	
13	39 1673 04	Hex Bolt / Flange	2	
14	CS 1011 28	Tensioner assly. gasket	1	
15	DD 1010 62	Bolt	1	

Cylinder and Piston

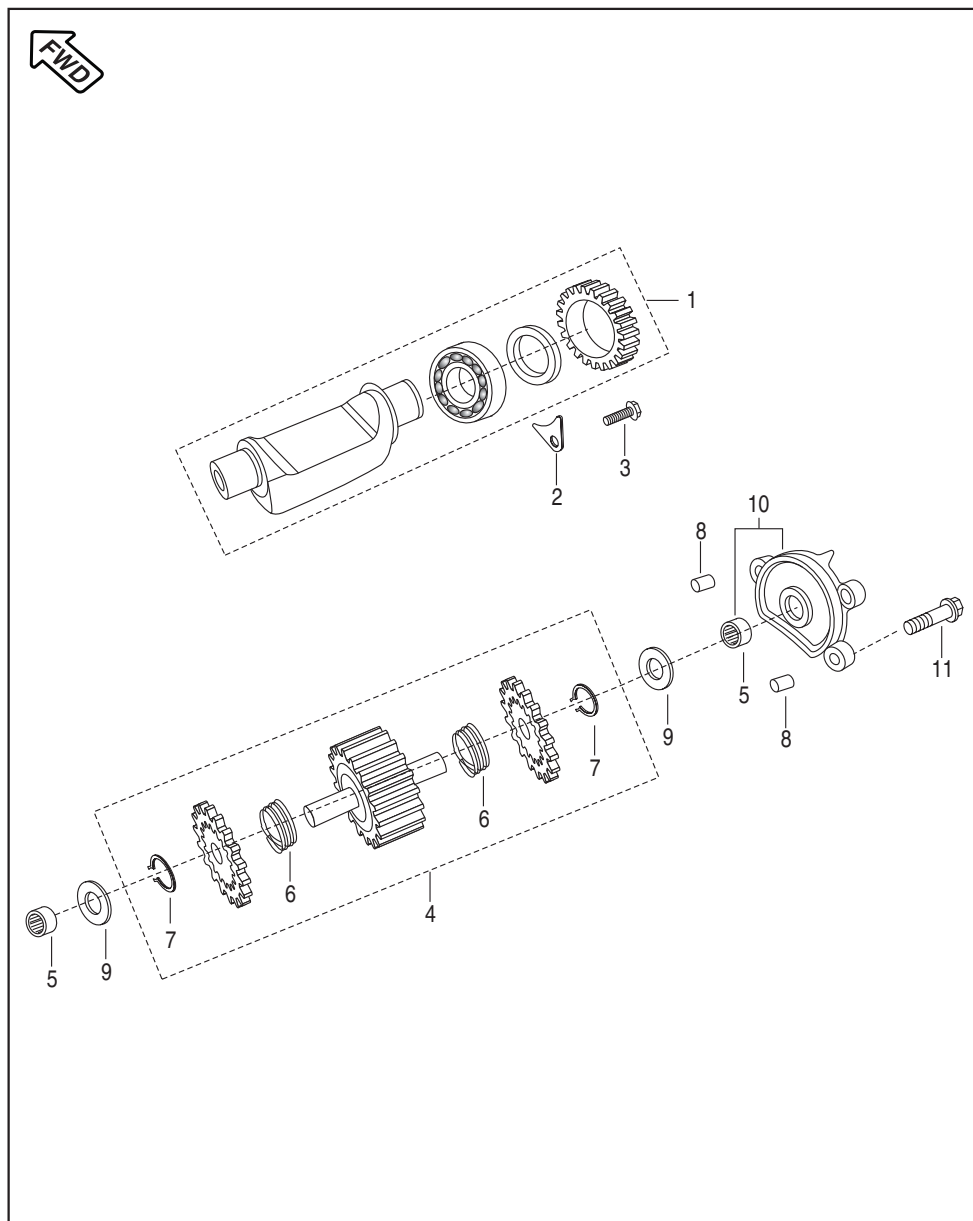


No.	Part No.	Description	Qty. /Veh.	Remarks
1	DJ 1010 04	Gasket Cylinder	1	
2	39 2181 06	Pin dowel	4	
3	DJ 1011 58	Piston Assly. Std.	1	
4	DJ 1011 06	Ring Set Piston	1	
5	39 2132 17	Ring Snap	2	
6	DJ 1013 71	Cylinder Block / Piston Assly	1	
7	DK 1015 92	Oil Pipe Assly	1	
8	DD 1210 07	Bolt Special	2	
9	31 1210 06	Gasket	4	
10	DH 1014 14	Damper	6	
11	39 1689 04	Bolt (dummy for Temp sensor)	1	
12	39 2448 11	Washer (dummy for Temp sensor)	1	

Crankshaft



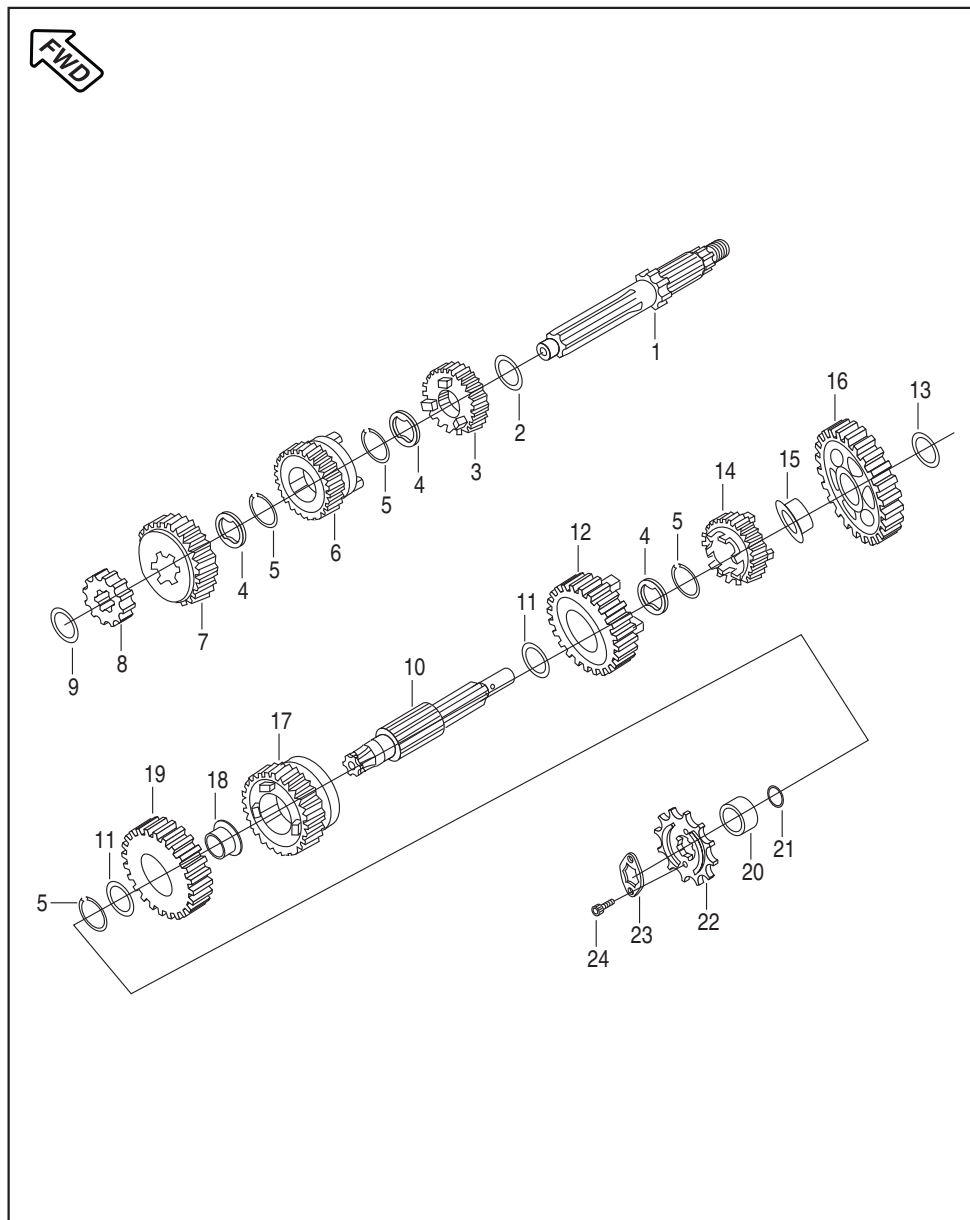
No.	Part No.	Description	Qty./Veh.	Remarks
1	JC 1010 01	Crankshaft assly. comp.	1	
2	39 2183 04	Bolt	1	
3	39 2165 11	Plain washer	1	
4	31 1011 73	Key woodruff	1	
5	DS 1011 54	Square Key	1	
6	39 1931 20	Bearing Ball	1	
7	DK 1012 48	Sprocket cam drive	1	
8	39 2203 07	Parallel pin	1	
9	36 DK00 38	Set primary driver & driven	1	Ref. Page No.101
10	DH 1010 64	Body centrifugal oil filter	1	
11	DH 1011 95	Nut	1	7mm. (Height)z
12	DH 1010 65	Cover centrifugal oil filter	1	
13	36 DH40 19	Kit centrifugal oil filter	1	Ref. Page No.101
14	DK 1014 80	Oil plunger	1	



Balancer & Balancer Idler Gear

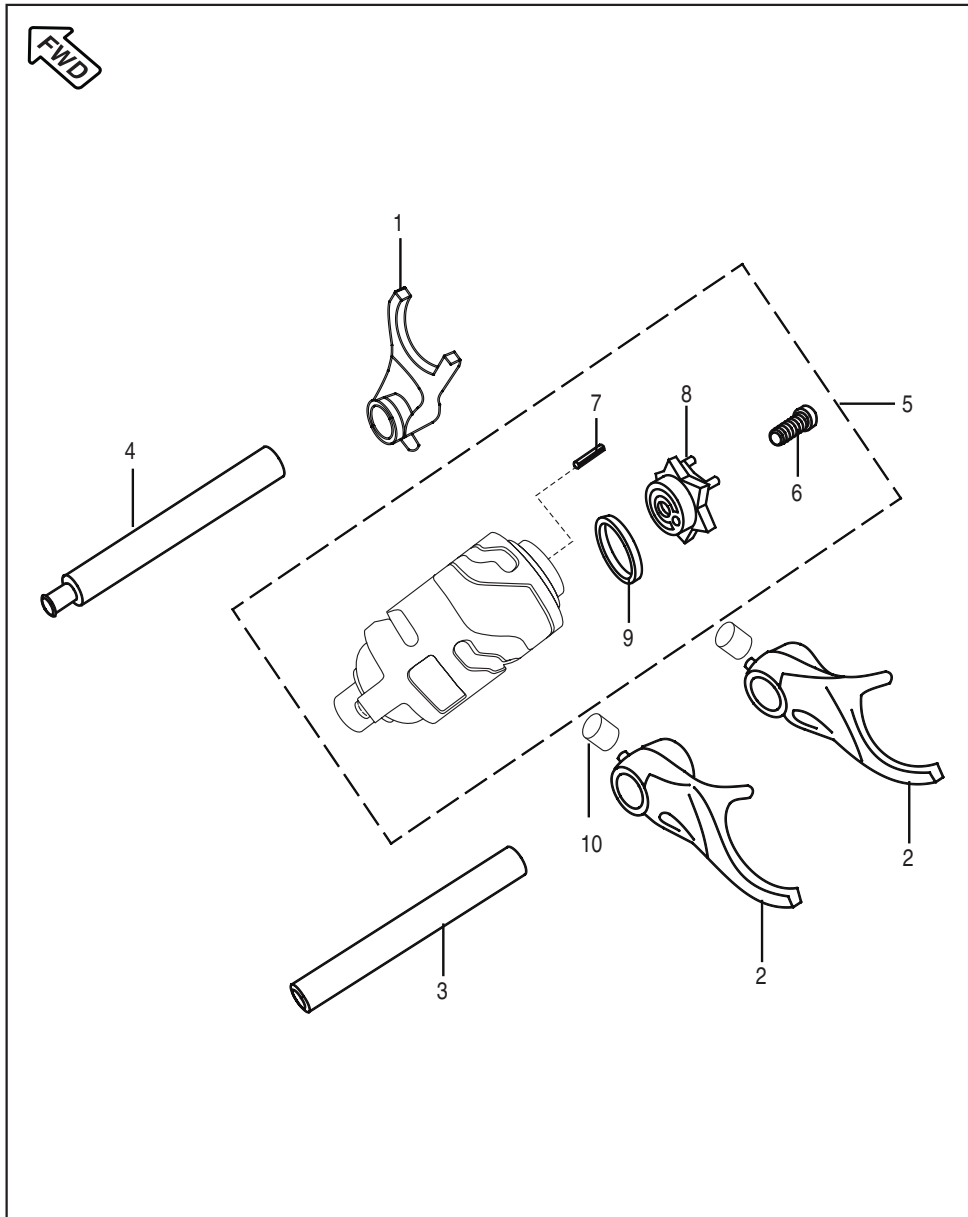
No.	Part No.	Description	Qty. /Veh.	Remarks
1	DJ 9025 03	Body Balancer Assly.	1	
2	DH 1010 72	Bearing stopper	1	
3	39 1672 04	Bolt	1	
4	DJ 1011 34	Assly. Balancer Idler Gear comp.	1	
5	39 2152 20	Needle roller bearing	2	
6	DJ 1011 33	Spring torsion Balancer Idler	2	
7	39 2557 17	Circlip ext.	2	
8	39 1686 06	Dowel Pin	2	
9	39 1620 11	Thrust washer	2	
10	52 DH01 77	Balancer Idler Holder	1	
11	39 1674 04	Bolt	3	

Transmission



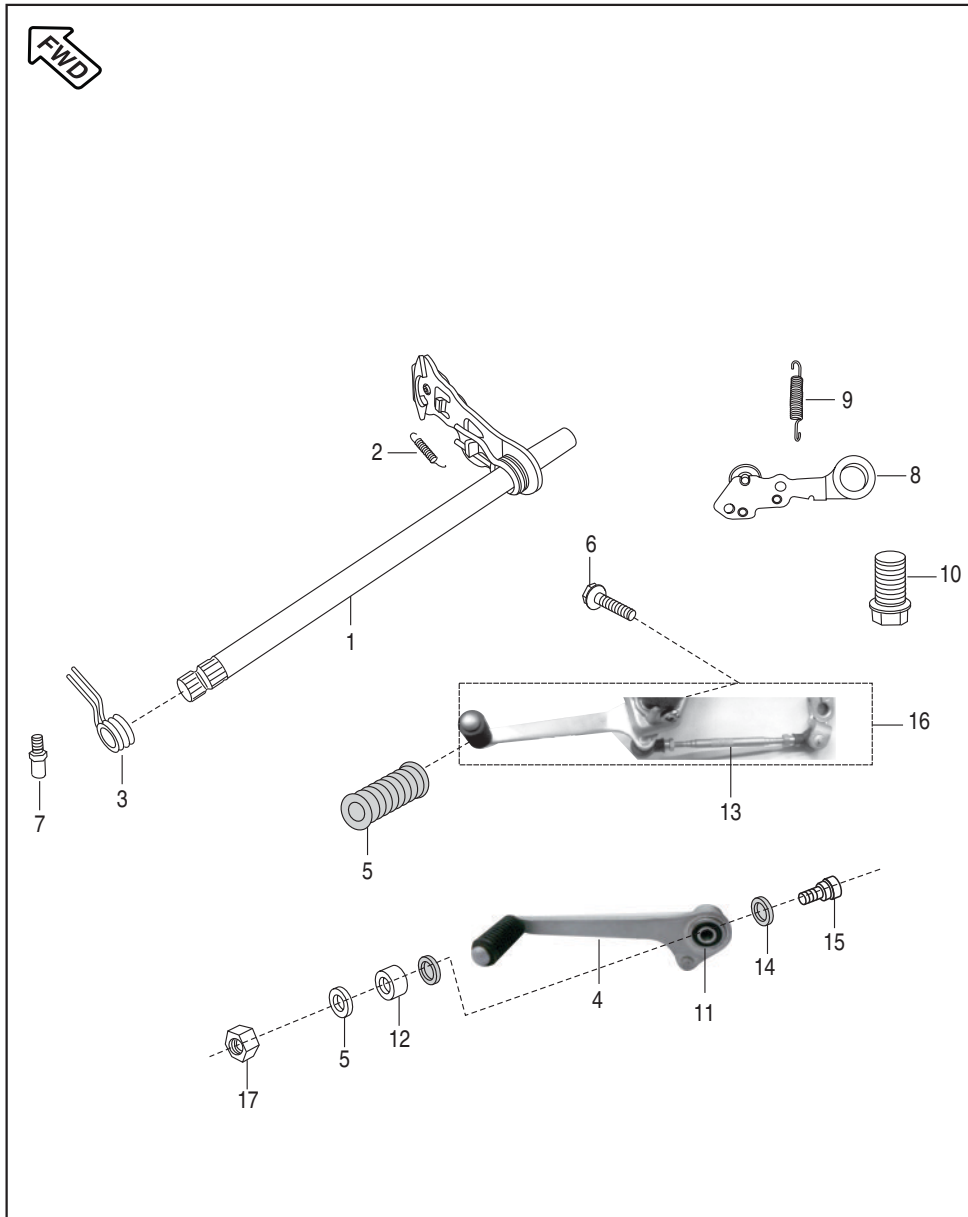
No.	Part No.	Description	Qty./Veh.	Remarks
1	DK 1014 71	Shaft Input Transmission	1	
2	39 2158 11	Washer Plain	1	
3	DK 1011 03	Gear 4th Drive	1	
4	DH 1010 79	Washer Spline	3	
5	DH 1012 35	External Circlip	4	
6	DK 1011 02	Gear 3rd Drive	1	
7	DK 1011 04	Gear 5th drive	1	
8	DH 1010 84	Gear 2nd drive	1	
9	39 2160 11	Thrust washer	1	
10	DK 1011 44	Shaft output Transmission	1	
11	DH 1013 36	Washer Thrust	2	
12	DK 1011 05	Gear 3rd Driven	1	
13	39 2159 11	Thrust Washer	1	
14	DK 1011 06	Gear 4th Driven	1	
	DK 1017 18	Gear 4th Driven	1	From 24.06.2011
15	DH 1011 11	Bush 1st driven	1	
16	DK 1011 18	Gear 1st driven	1	
	DK 1017 17	Gear 1st driven	1	From 24.06.2011
17	DK 1011 07	Gear 5th Driven	1	
	DK 1017 21	Gear 5th Driven	1	From 24.06.2011
18	DH 1013 19	Bush 2nd driven	1	
19	DH 1013 33	Gear 2nd Driven	1	
	DK 1017 19	Gear 2nd Driven	1	From 24.06.2011
20	DK 1012 45	Collar Sprocket	1	
21	DK 1013 52	'O' Ring Sprocket Collar	1	
22	DV 1010 48	Sprocket Drive	1	
23	DJ 1010 63	Plate Drive Sprocket	1	
24	DH 1013 83	Bolt Drive Sprocket	2	DJ101300
	DJ 1013 00	Bolt Drive Sprocket	2	From 29.05.2010

Change Drum / Shift Fork



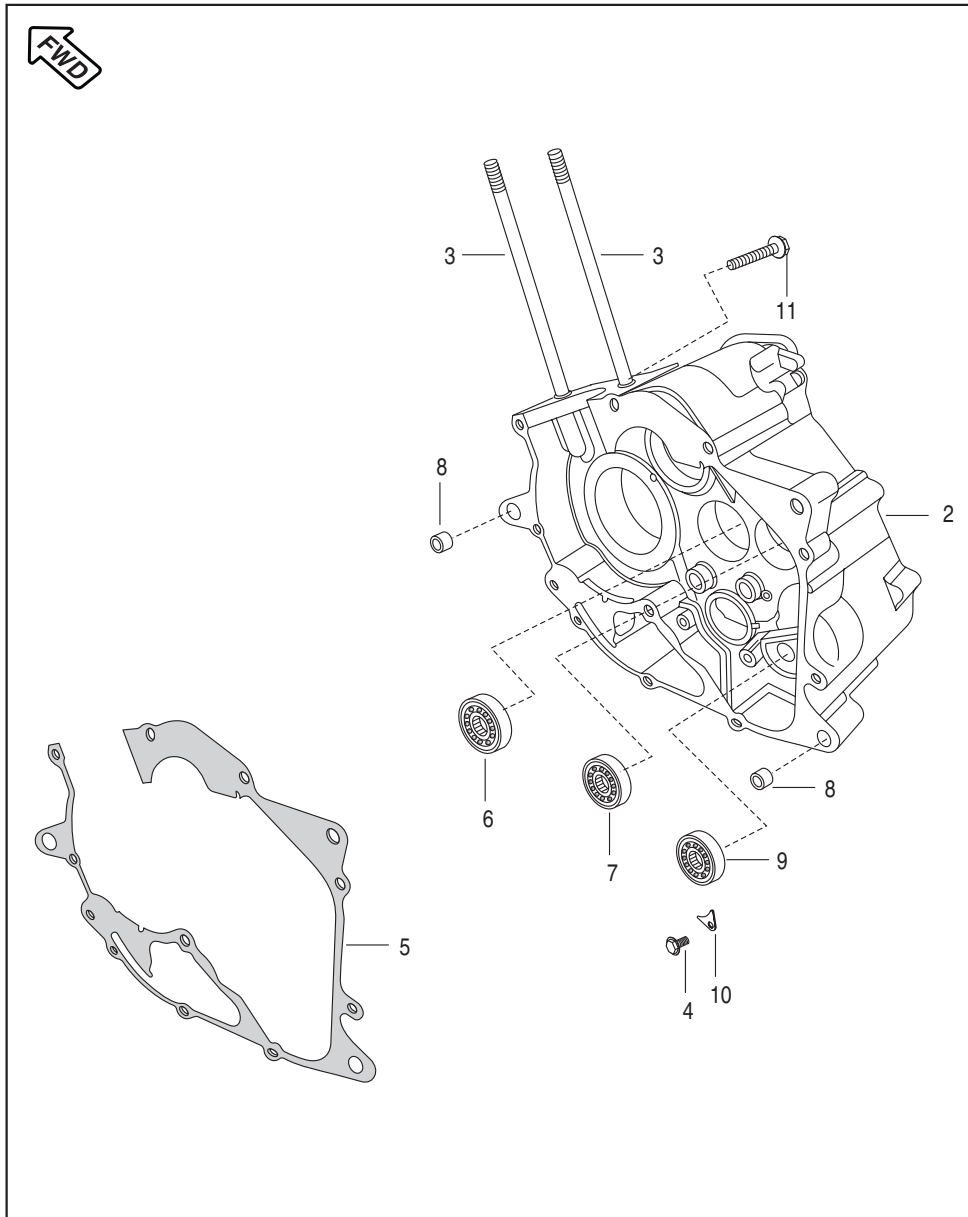
No.	Part No.	Description	Qty. /Veh.	Remarks
1	DK 1011 33	Fork Gear Shift Input	1	
2	DK 1011 34	Fork Gear Shift output	2	
3	DH 1011 46	Shaft Gear Shift Fork	1	
4	DH 1014 93	Shaft Gear Shift Fork	1	
5	DK 1013 82	Drum comp. Gear Shift	1	
	DK 1017 32	Drum comp. Gear Shift	1	From 24.06.2011
6	39 2639 04	Bolt Socket	1	
7	39 2606 07	Parellel pin	1	
8	DK 1013 61	Guide Gear Shifter	1	
9	DH 1014 96	Spacer	1	
10	DK 1011 35	Bush fork gear shift	3	

Gear Change Mechanism



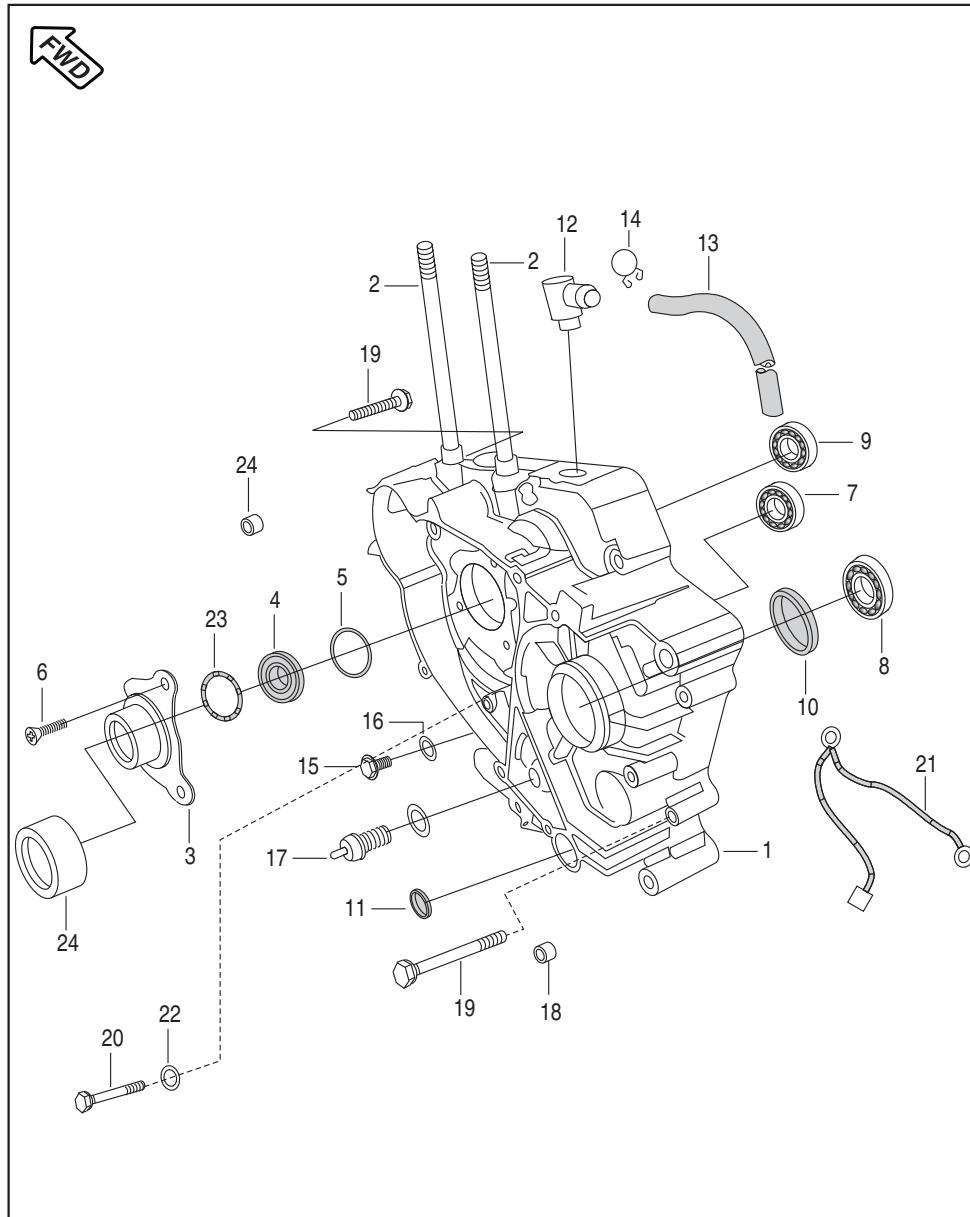
No.	Part No.	Description	Qty./Veh.	Remarks
1	DH 1017 05	Lever comp. Gear Shifter	1	
	DK 1017 22	Lever comp. Gear Shifter	1	From 24.06.2011
2	DH 1017 14	Spring Slider Arm Reset	1	
3	DH 1011 44	Spring Gear Shifter Return	1	
	DK 1017 22	Spring Gear Shifter Return	1	From 24.06.2011
4	DK 1011 82	Lever gear shift	1	
5	DH 1015 09	Damper	1	
6	39 2453 04	Flanged Bolt	1	
7	DH 1013 93	Bolt Gear Shift drum Stopper	1	
8	DH 1015 03	Stopper Gear Shifter Drum	1	
	DK 1017 25	Stopper Gear Shifter Drum	1	From 24.06.2011
9	DK 1012 53	Spring Gear Shifter Drum Stopper	1	
10	DH 1013 94	Bolt Shift Change	1	
11	39 1998 19	Oil seal	2	
12	DK 1011 87	Collar	1	
13	DK 1011 80	Assembly tie rod	1	
14	DK 1011 85	Washer pivot	1	
15	DK 1011 86	Pivot bolt	1	
16	DK 1011 77	Assembly lever change arm	1	
17	39 2383 15	Flange Nut	1	

Engine Assly. & Crankcase RH

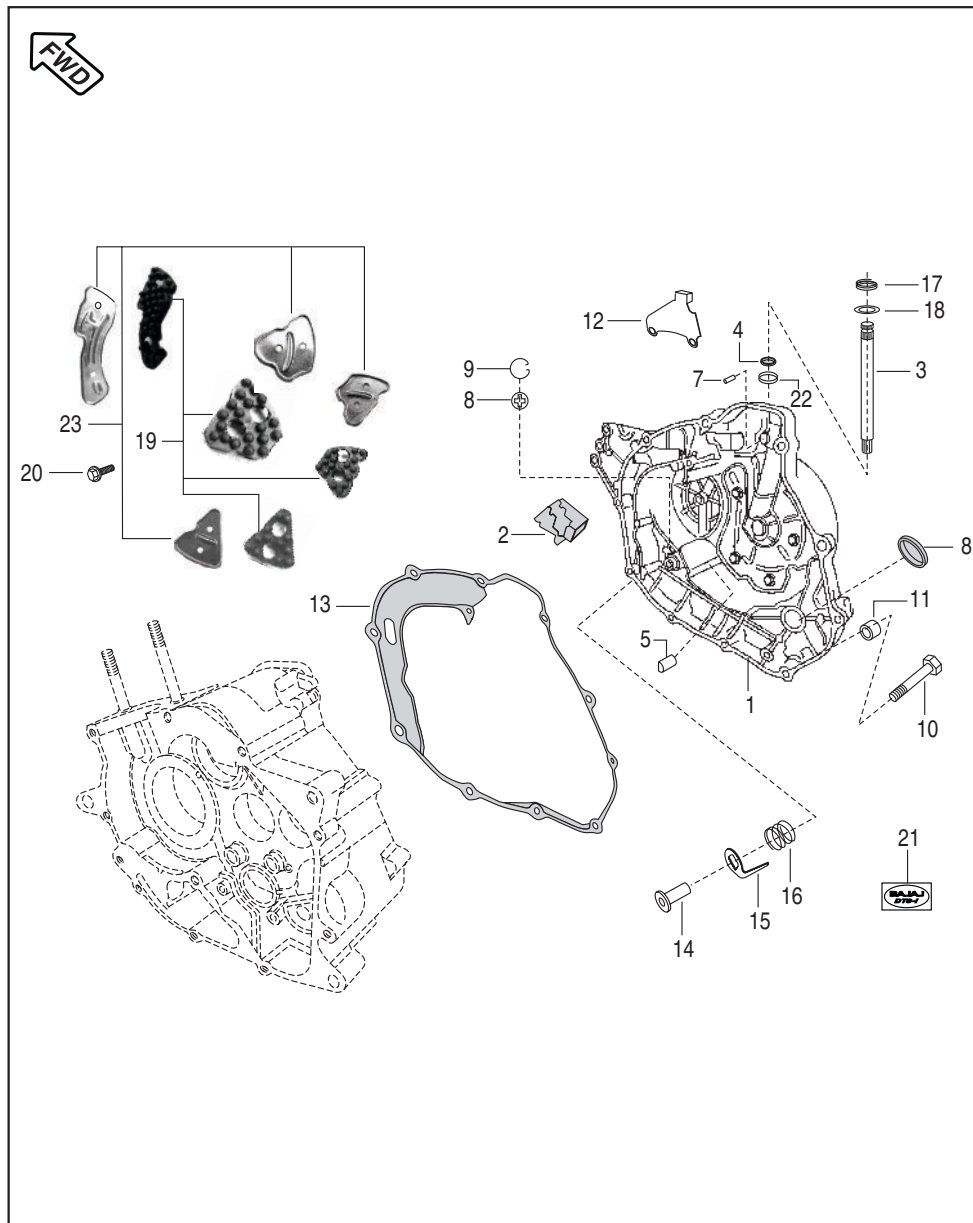


No.	Part No.	Description	Qty./Veh.	Remarks
1	DJ 1013 89	Engine Assly. with starter motor	1	N.I.
	DJ 1016 72	Engine Assly. with starter motor	1	From 17.08.2011
2	JC 1010 29	Crankcase RH	1	
3	59 0500 08	Stud	2	
4	DH 1013 83	Bolt Flanged	1	
5	DH 1010 06	Gasket Crankcase	1	
6	39 2583 20	Bearing Ball (For Input shaft)	1	
7	59 2000 27	Needle Roller Bearing (For Output shaft)	1	
8	39 2180 06	Dowel Pin	2	
9	39 2601 20	Ball Bearing	1	(For Drum Comp. Gear Shift)
10	DH 1014 87	Plate Stopper	1	
11	39 1845 04	Flange Bolt	1	

Crankcase LH



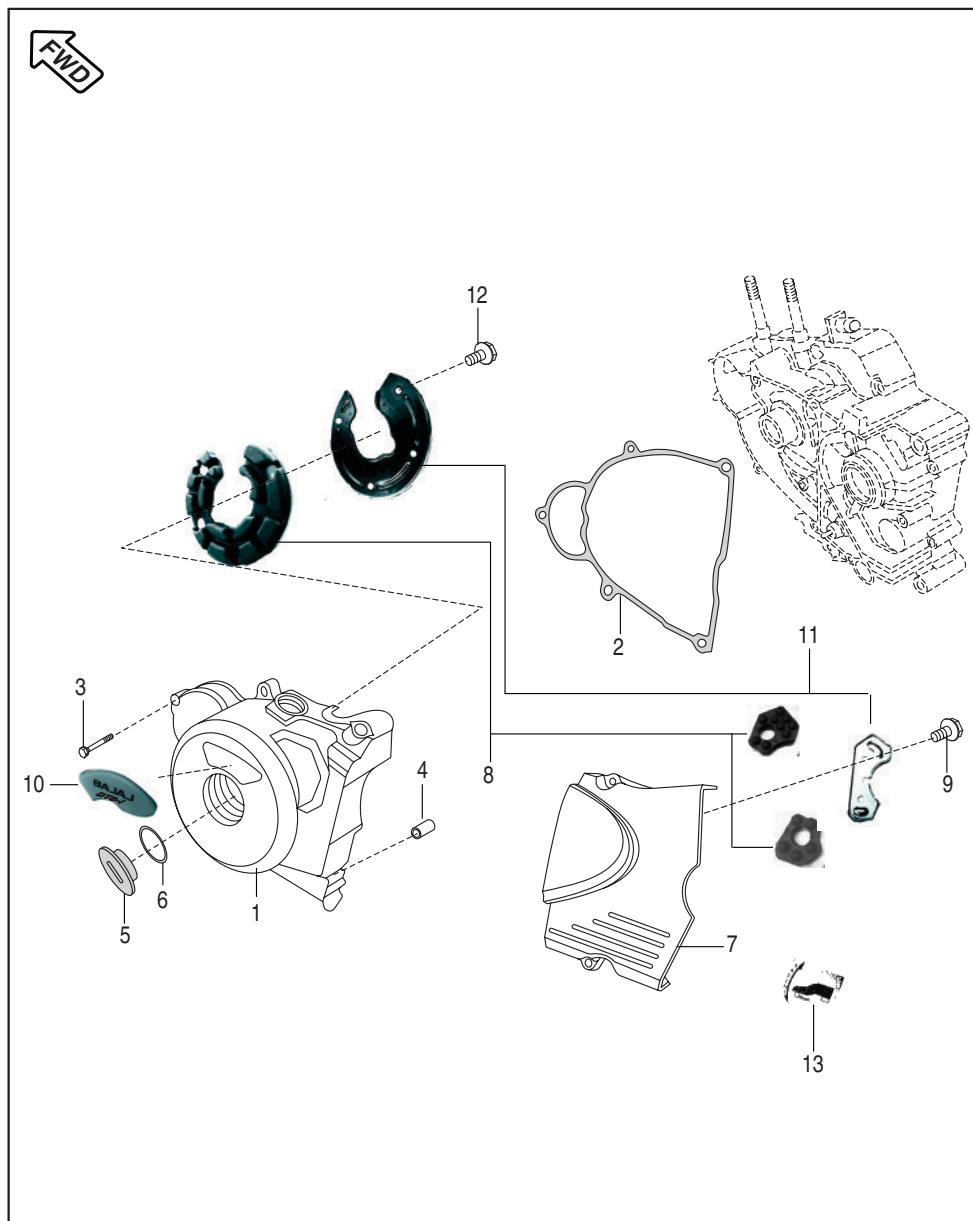
No.	Part No.	Description	Qty./Veh.	Remarks
1	JC 1010 45	Crankcase LH	1	
2	59 0500 08	Stud	2	
3	DK 1010 94	Guide starter Assly	1	
4	39 2188 19	Oil Seal	1	
5	59 2100 06	'O' Ring	1	
6	39 0752 01	C' Sunk Head Screw	3	
7	39 2603 20	Bearing Ball (For Input shaft)	1	
8	59 2000 06	Bearing Ball (For Output shaft)	1	
9	39 2185 20	Balancer LH Bearing	1	
10	30 1010 14	Oil Seal (For Output shaft)	1	
11	39 2190 19	Oil Seal (For Shift lever)	1	
12	DH 1012 03	Breather pipe	1	
13	DH 1012 46	Rubber tube	1	
14	28 1011 74	Spring Clip	1	
15	DH 1016 61	Plug (Drain Bolt)	1	
16	31 1011 06	Gasket (For Drain Bolt)	1	
17	DK 1013 80	Switch comp.(Neutral)	1	
18	39 2181 06	Hollow dowel pin	2	
19	39 1677 04	Bolt	8	
20	39 2305 04	Bolt	1	
21	DJ 2010 21	Cable assly. (Battery to Earth)	1	
22	39 2448 11	Plain Washer	1	
23	DK 1010 97	Damper	1	
24	39 2180 06	Hollow dowel pin	2	
25	KE BA37 15	Circlip	1	From 29.05.2010



Cover RH

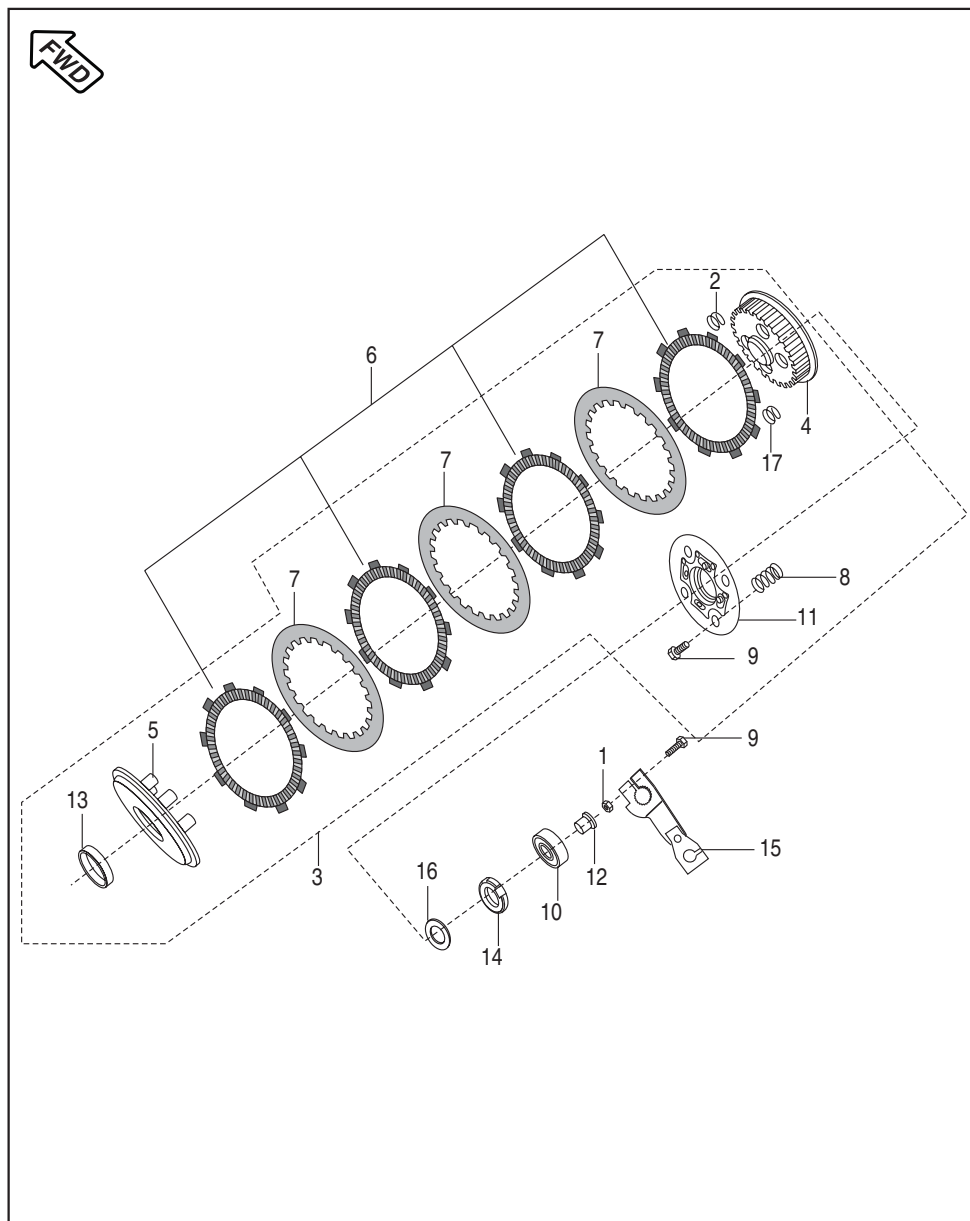
No.	Part No.	Description	Qty./Veh.	Remarks
1	52 DJ03 90	Cover comp RH	1	
	DJ 1016 57	Cover comp RH-Flower Type	1	From 29.11.2010
	36 DJ40 26	Kit Asly CI Cover-Moonlight Silver	1	From 17.08.2011
2	DH 1011 97	Grommet Breather	1	
3	DH 1011 42	Shaft clutch release	1	
4	39 1041 19	Seal clutch lever	1	
5	DH 1011 41	Rack	1	
6	DH 1011 52	Dip stick with 'O' ring	1	N.I.
7	DK 1012 51	Parallel pin	1	
8	DG 1014 18	Gauge	1	
9	DS 1012 15	Wire circlip	1	
10	DS 1013 53	Bolt	10	
11	39 0999 06	Pin Dowel	2	
12	DH 1010 18	Bracket Clutch Cable	1	
13	DH 1011 54	Gasket cover RH	1	
14	DK 1014 80	Plunger Oil	1	
15	DH 1210 11	Plate Plunger Oil	1	
16	DH 1210 12	Spring Joint 'A'	1	
17	DH 1015 44	Spring torsion clutch lever	1	
18	39 2443 11	Washer	1	
19	36 DH10 04	Set damper	1	Ref. Page No. 101
20	DH 1013 88	Flanged Bolt	5	
21	JC 1010 40	'Bajaj' Decal	1	
	DK 1017 38	Decal DTS-i	1	From 29.11.2010
22	39 1990 20	Bushing	1	
23	36 DH10 05	Set of Plate	1	Ref. Page No. 101
24	DH 1014 82	Plate Damper Integral	1	
25	DH 1015 10	Damper Integral	1	

Cover Magneto



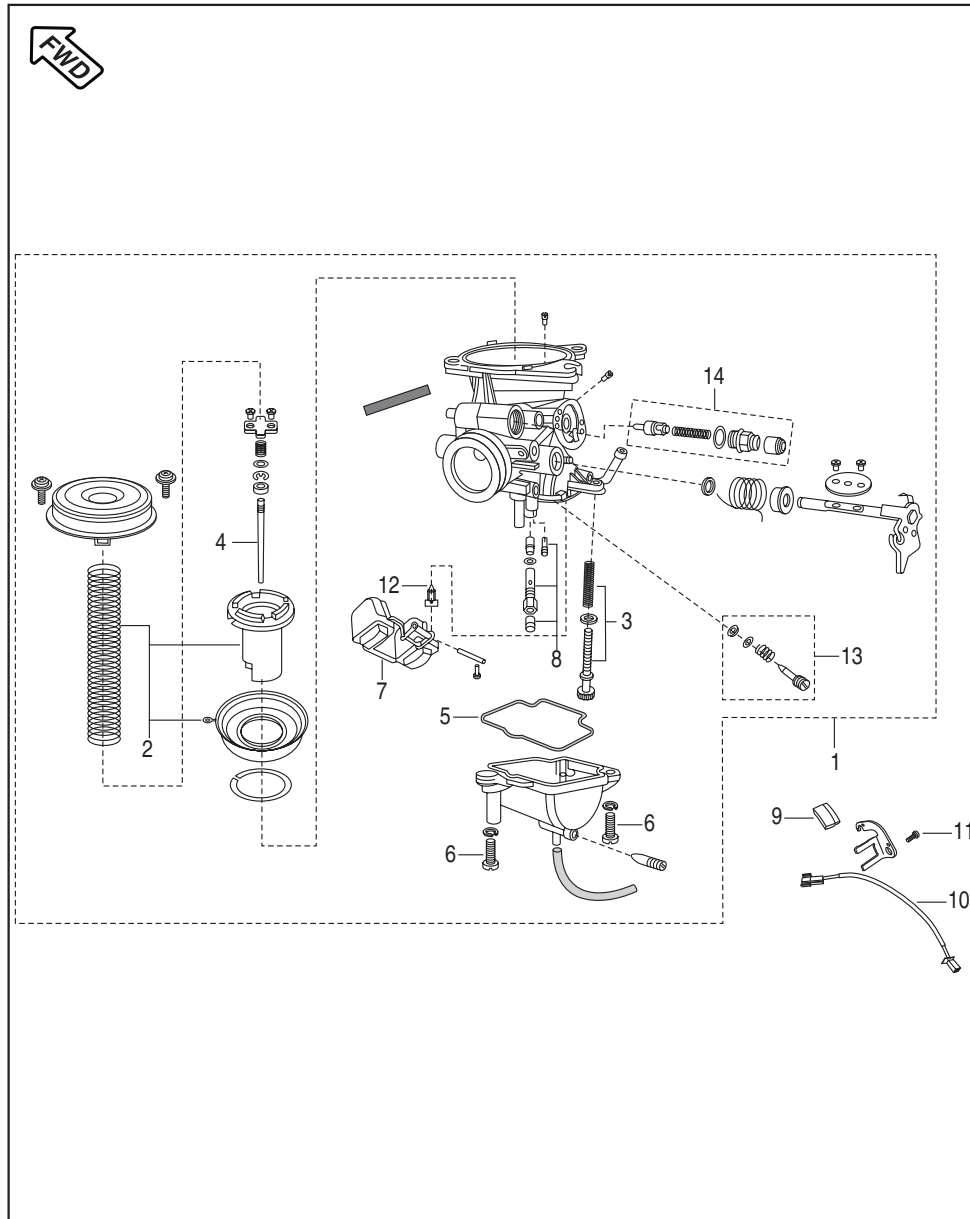
No.	Part No.	Description	Qty./Veh.	Remarks
1	DJ 1012 71	Cover Magneto	1	
	52 DH06 24	Cover Magneto-Flower Type	1	From 29.11.2010
	52 DH06 86	Cover LH (Magneto) -Moonlight Silver	1	From 17.08.2011
2	DV 1010 42	Gasket Magneto cover	1	
3	DS 1013 53	Bolt	5	
4	39 0999 06	Pin Dowel	2	
5	DH 1011 57	Cap Crank Center	1	
6	39 1283 21	'O' Ring	1	Alt to 39 2452 21
7	JC 1010 33	Cover LH RR	1	
	DK 1017 62	Cover LH RR-Moonlight Silver	1	From 17.08.2011
8	36 DH10 06	Set Damper	1	Ref. Page No.101
9	DH 1013 88	Flanged Bolt	6	
10	DH 1013 23	'Bajaj' Decal	1	Fitted on Cover Magneto
	JE 5412 12	Decal DTS-i	1	From 29.11.2010
11	36 DH10 07	Set of Plate	1	Ref. Page No.101
12	DS 1013 53	Bolt	2	
13	DJ 1612 28	Sticker	1	

Clutch



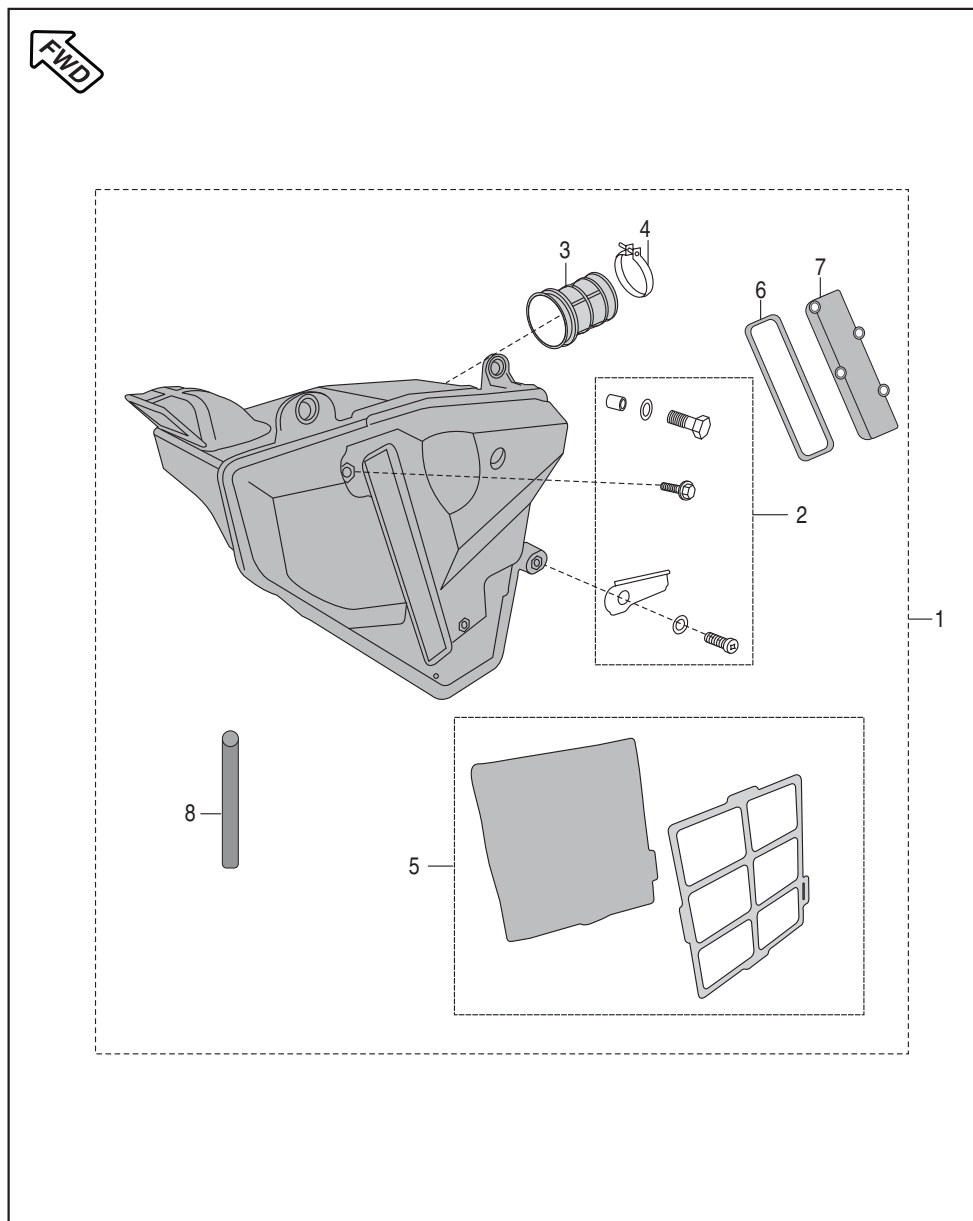
No.	Part No.	Description	Qty. /Veh.	Remarks
1	DH 1012 75	Special Nut	1	
2	DK 1015 71	Spring judder	1	
3	DJ 1013 50	Clutch Assly. Complete	1	
4	DK 1015 64	Clutch Center	1	
5	DK 1015 69	Plate Clutch Pressure	1	
6	DJ 1013 69	Friction Plate Kit	1	
7	DK 1015 65	Plate Clutch	5	
8	DH 1018 61	Spring Clutch Capacity	4	
9	DK 1015 74	Bolt	5	
10	39 2617 20	Bearing Clutch lifter thrust	1	
11	DK 1015 73	Holder Clutch	1	
12	DK 1010 72	Rod Clutch lifter	1	
13	DK 1011 26	Spacer clutch	1	
14	DH 1016 48	Nut Primary drive lock	1	LH Thread
15	DH 1011 80	Lever Assly. Clutch	1	
	DK 1016 36	Lever Assly. Clutch	1	From Engine No. DJGBSC54429
16	39 2200 11	Washer Primary Drive Gear	1	
17	DK 1015 70	Seat judder spring		

Carburettor



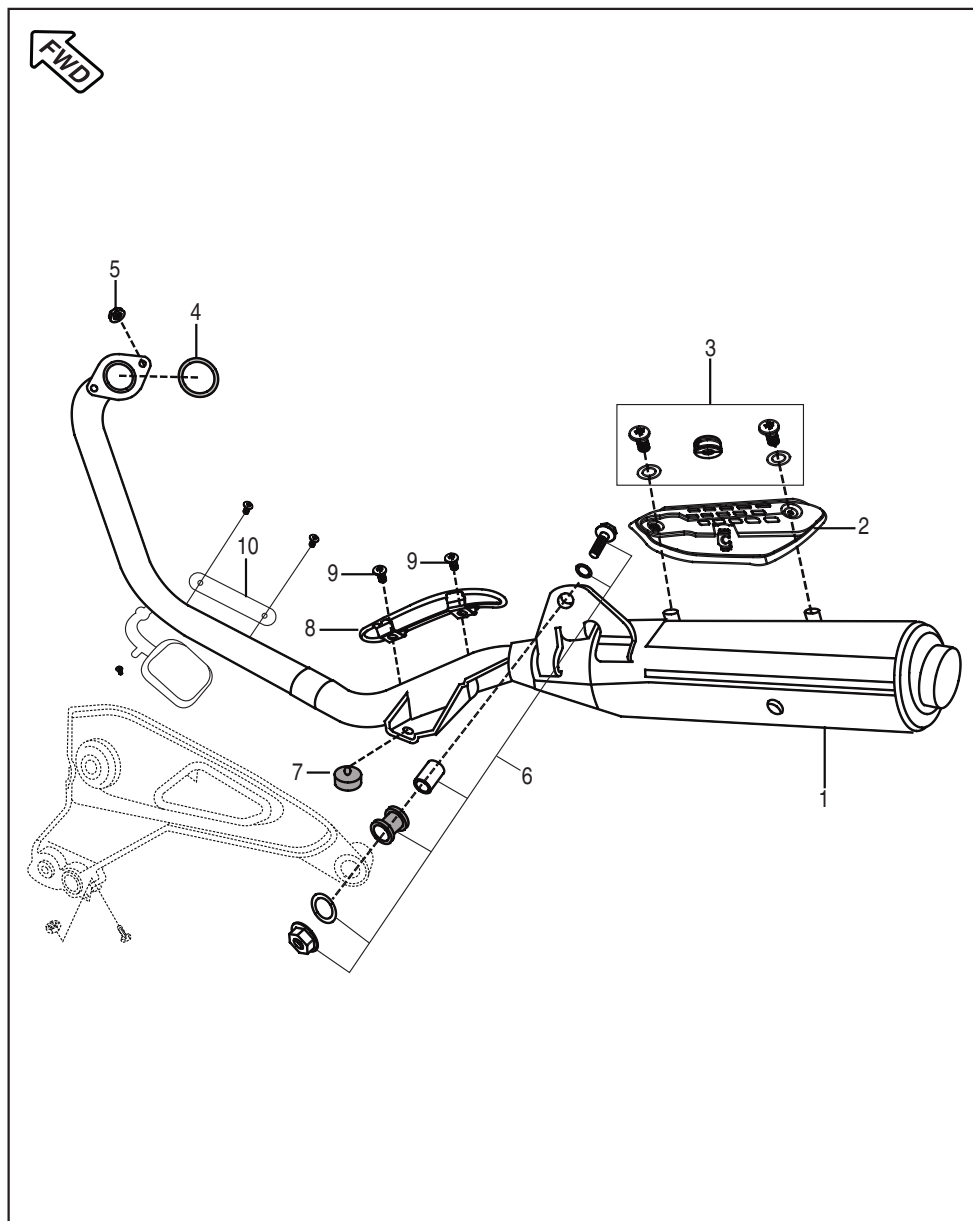
No.	Part No.	Description	Qty. /Veh.	Remarks
1	DJ 1210 41	Carburettor Assly.	1	
2	DJ 1210 51	Vaccum Piston Kit	1	
3	DH 1211 49	Idling Screw Kit	1	
4	DJ 1210 44	Jet needle(JN)	1	
5	DJ 1210 53	"O" ring	1	
6	DJ 1210 54	Screw	2	
7	DJ 1210 55	Float assly.	1	
8	DJ 1210 56	Jet Holder Kit	1	
9	DH 1211 01	Magnet Assly.	1	
10	DJ 1210 70	Reed Switch Assly.	1	
11	39 1780 01	Pan Head Screw	2	
12	DJ 1210 57	Needle Assly.	1	
13	DH 1211 50	Set Adjuster(PS)	1	
14	DJ 1210 59	Set Plunger assly.	1	

Air Cleaner Comp



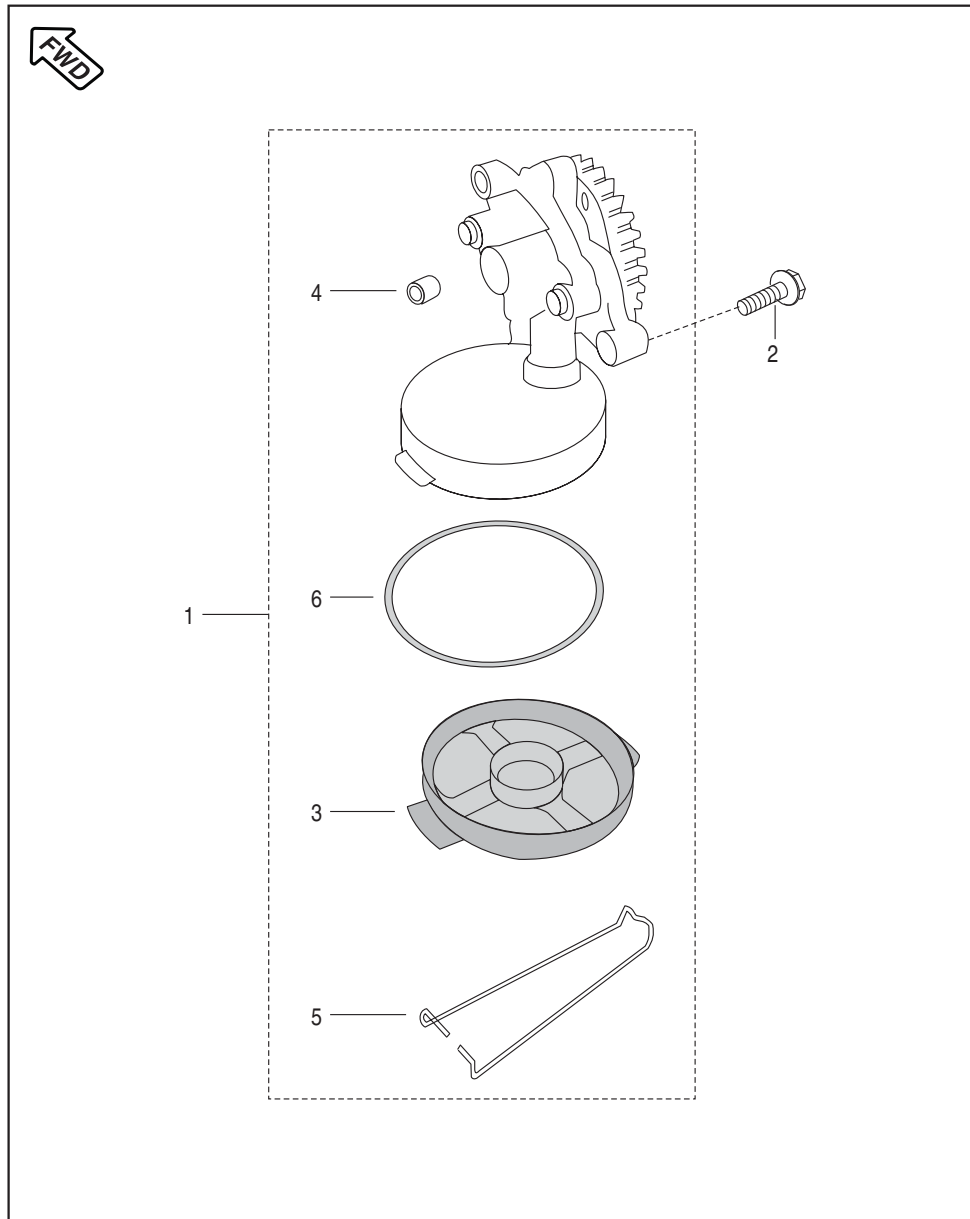
No.	Part No.	Description	Qty. /Veh.	Remarks
1	DJ 1210 71	Air Cleaner comp	1	
2	36 DH40 10	Kit hardware air cleaner	1	Ref. Page No.101
3	DJ 1210 68	Connecting Tube	1	
4	AA 1210 45	Clamp	1	
5	36 DK00 15	Kit element air filter (Fine & Coarse)	1	Ref. Page No.102
6	DK 1210 15	'O' ring Air Filter Cover	1	
7	DK 1210 08	Filter Air Element Cover	1	
8	DS 1211 17	Drain Tube	1	

Silencer Assly.

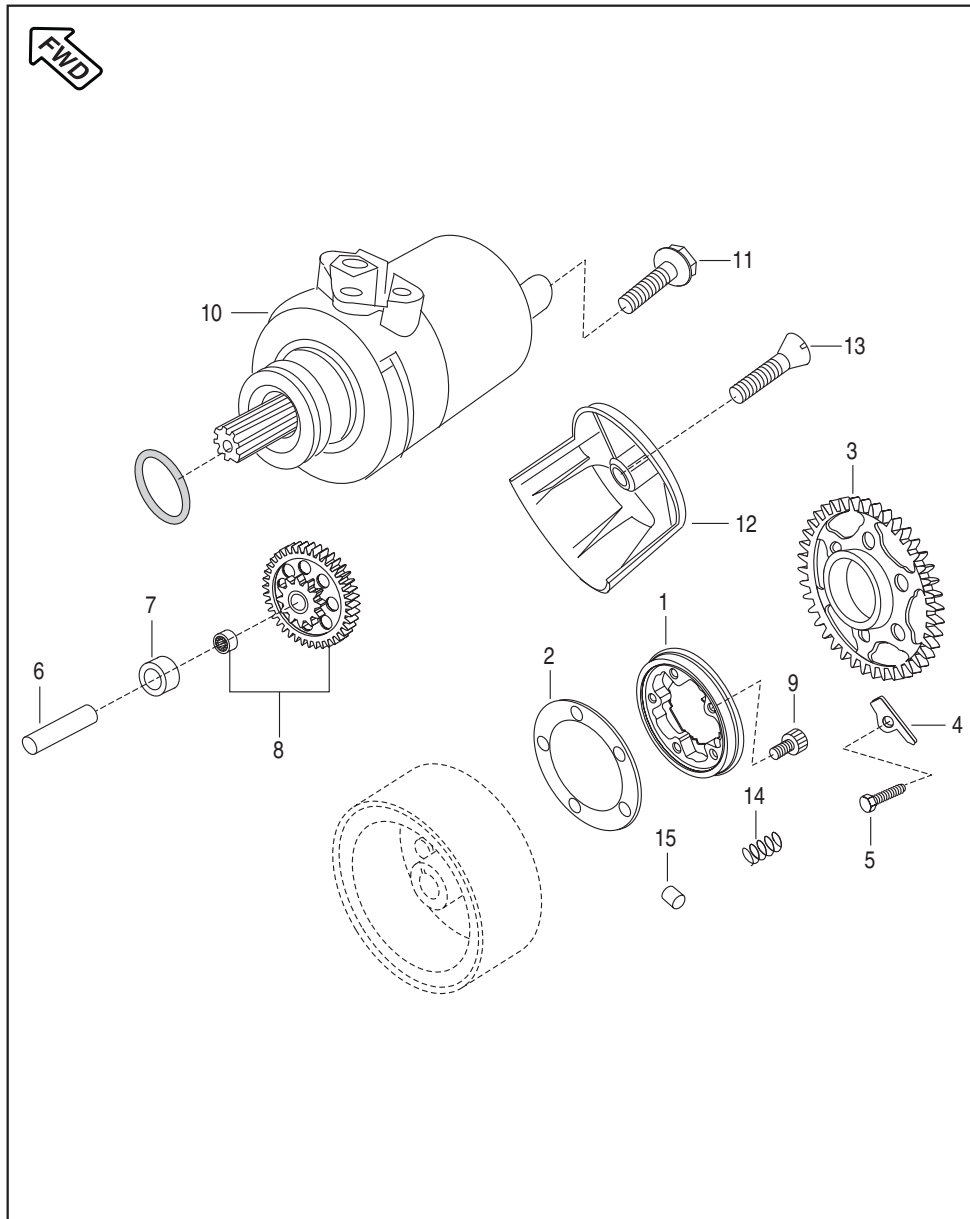


No.	Part No.	Description	Qty. /Veh.	Remarks
1	DJ 1013 91	Silencer W/O Shield	1	
	36 DJ40 29	Kit Asly Silencer W/O Shield	1	
2	DH 1014 68	Shield Muffler	1	
3	36 DH40 11	Kit hardware shield	1	Ref. PageNo.102
4	DJ 1010 64	Gasket Exhaust	1	
5	39 1970 15	Flanged Nut	2	
6	36 DK00 09	Kit hardware silencer	1	Ref. Page No.102
7	DG 1611 24	Damper (Main Stand)	1	
8	DH 1015 21	Wire Shield Assly.	1	
9	DH 1013 02	Screw	2	
10	DH 1016 08	Silencer front (cat) shield	2	
	DJ 1016 62	Silencer front (cat) shield -Black	2	From 20.10.2010

Oil Pump



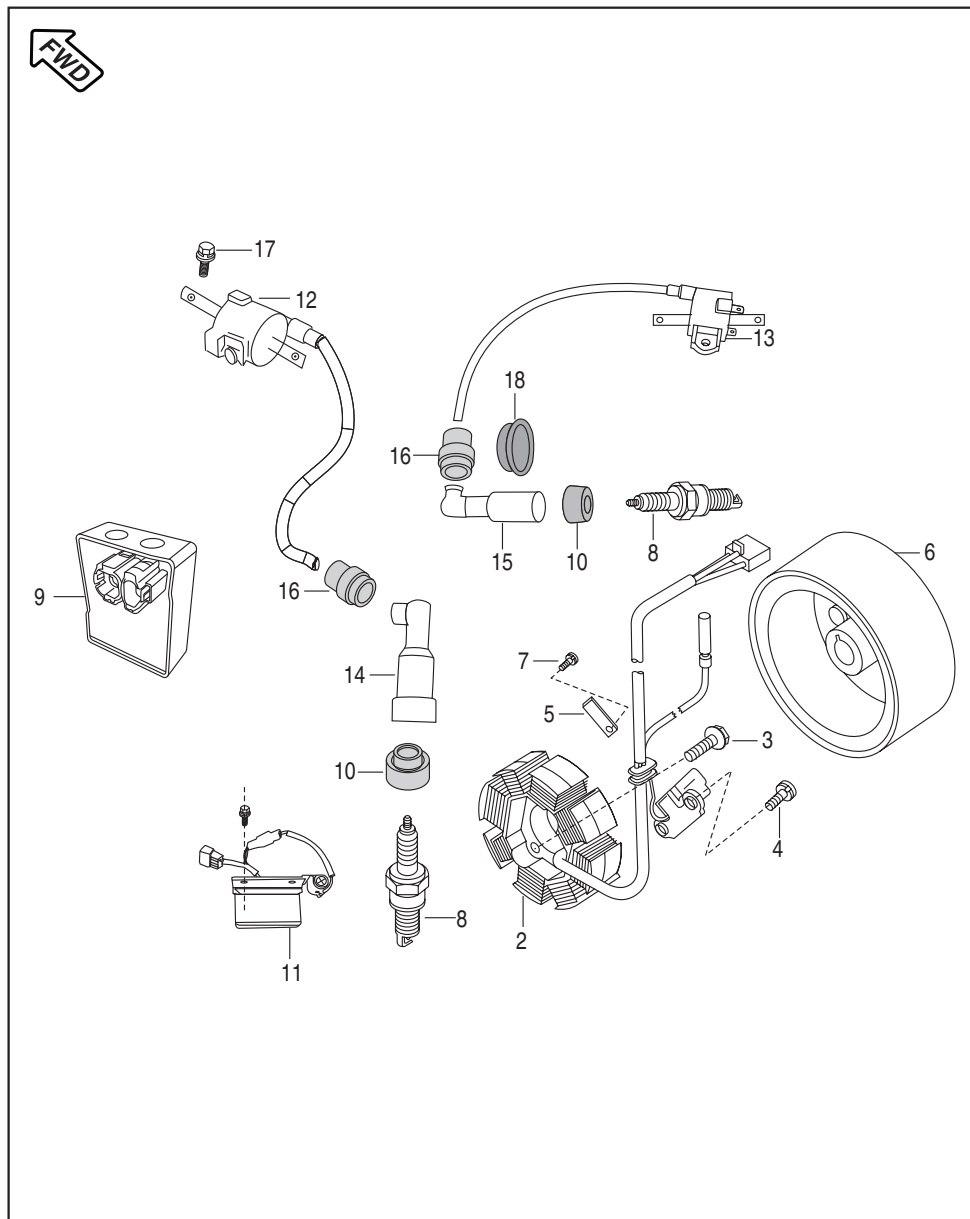
No.	Part No.	Description	Qty./Veh.	Remarks
1	DH 1210 01	Oil Pump Assly	1	
2	39 1674 04	Hex. Bolt with flange	3	
3	DH 1210 10	Mesh filter Oil pump	1	
4	39 1686 06	Hollow dowel pin	1	
5	DH 1210 35	Clip Mesh Oil filter	1	
6	39 2194 21	'O' Ring	1	



Starter Assly.

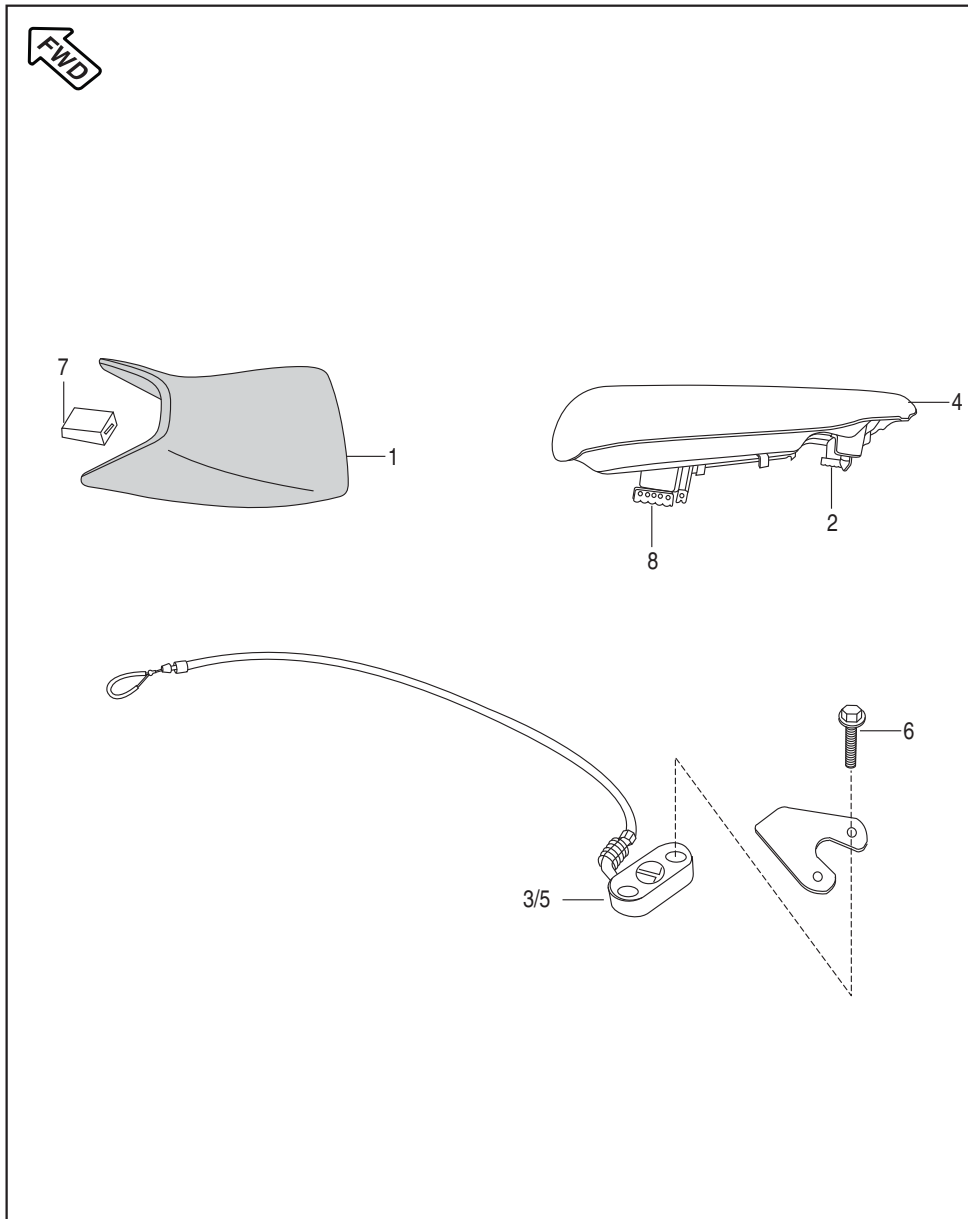
No.	Part No.	Description	Qty. /Veh.	Remarks
1	DK 1015 95	Body comp. starter clutch	1	
2	DK 1016 05	Plate roller clutch	1	
3	JC 1011 14	Gear starter clutch	1	
4	DH 1015 81	Plate starter clutch gear return	1	
5	DH 1013 85	Bolt	1	For stopper Plate
6	DK 1011 76	Shaft starter counter	1	
7	DH 1011 72	Collar starter counter	1	
8	JC 1011 15	Gear comp. starter counter assly.	1	
9	DH 1013 82	Bolt socket	3	
10	DH 1110 84	Motor assly. starter clutch	1	
11	DS 1013 53	Bolt	2	
12	DJ 1012 78	Cover starter motor	1	
	DK 1017 70	Cover starter motor Moonlight Silver	1	From 17.08.2011
13	DH 1013 89	Slotted c'sunk screw	1	
14	DK 1015 96	Spring	5	
15	DH 1011 63	Roller	5	
16	59 2000 07	Needle Roller Bearing (For Gear Starter Clutch)	1	

Magneto / C.D.I. /H.T. Coil



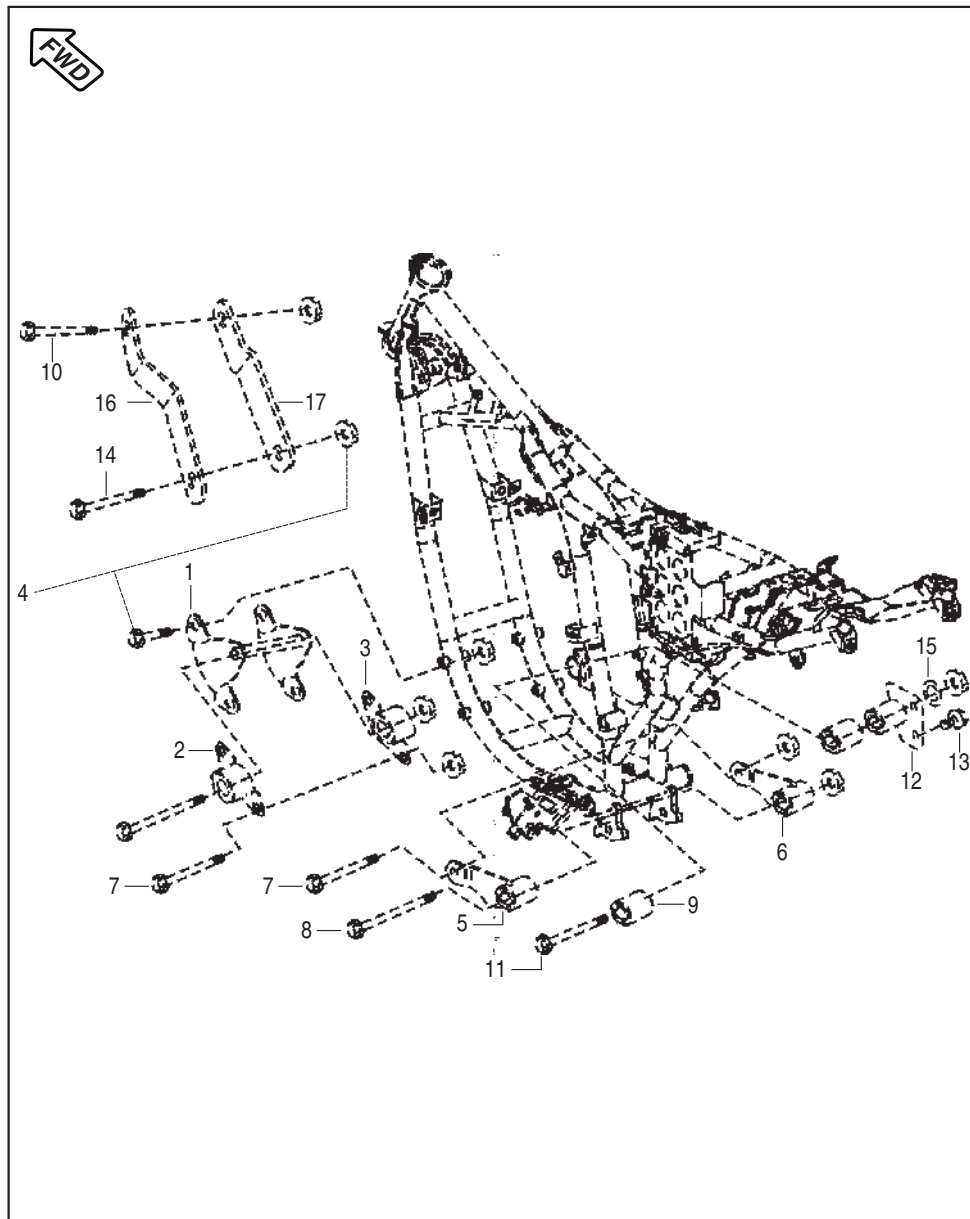
No.	Part No.	Description	Qty. /Veh.	Remarks
1	59 1000 02	Spring Dowel	1	N.I.
2	DH 1110 81	Stator Assly. comp	1	
3	DH 1013 86	Hex. Bolt with Flange	2	
4	DH 1013 81	Pan Head Screw	2	
5	DH 1011 99	Stopper plate (wiring harness)	1	
6	DH 1110 83	Rotor Assly.	1	
7	DH 1013 80	Screw Pan head	1	
8	DG 1110 08	Spark plug	2	
9	DJ 1110 92	C.D.I. Assly.	1	
10	DD 1110 13	Grommet Spark Plug	2	
11	DJ 2012 02	Regulator	1	
12	JC 1110 22	H.T. Coil LH with cable	1	
13	JC 1110 23	H.T. Coil RH with cable	1	
14	DD 1110 48	Cap Spark Plug	1	
15	DH 1110 15	Cap Spark Plug	2	
16	DD 1110 12	Grommet H.T. Cable	2	
17	39 1944 04	Flange Bolt	4	
18	DH 1110 16	Grommet Sleeve Spark Plug	1	

Seat Assembly / Seat Lock



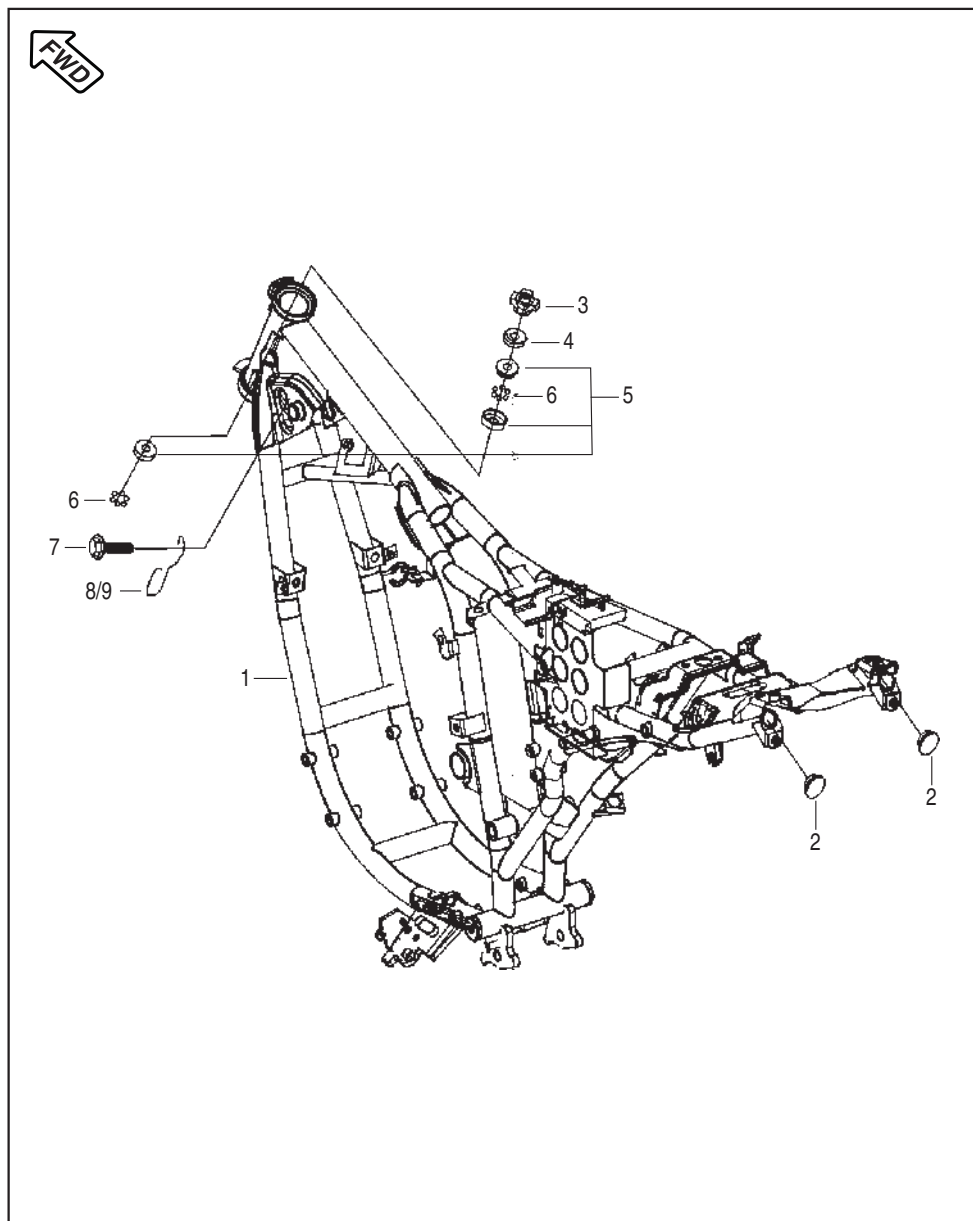
No.	Part No.	Description	Qty. /Veh.	Remarks
1	DK 2110 01	Seat Assly comp front	1	
2	DS 2110 05	Damper	6	
3	DH 1610 46	Lock Assly seat front	1	
4	DK 2110 04	Seat assly comp rear	1	
5	DK 2110 08	Lock assly seat rear	1	
6	39 1902 04	Bolt flange	4	
7	DK 2110 07	Damper Front	1	
8	DS 2110 04	Damper	2	

Engine Mounting



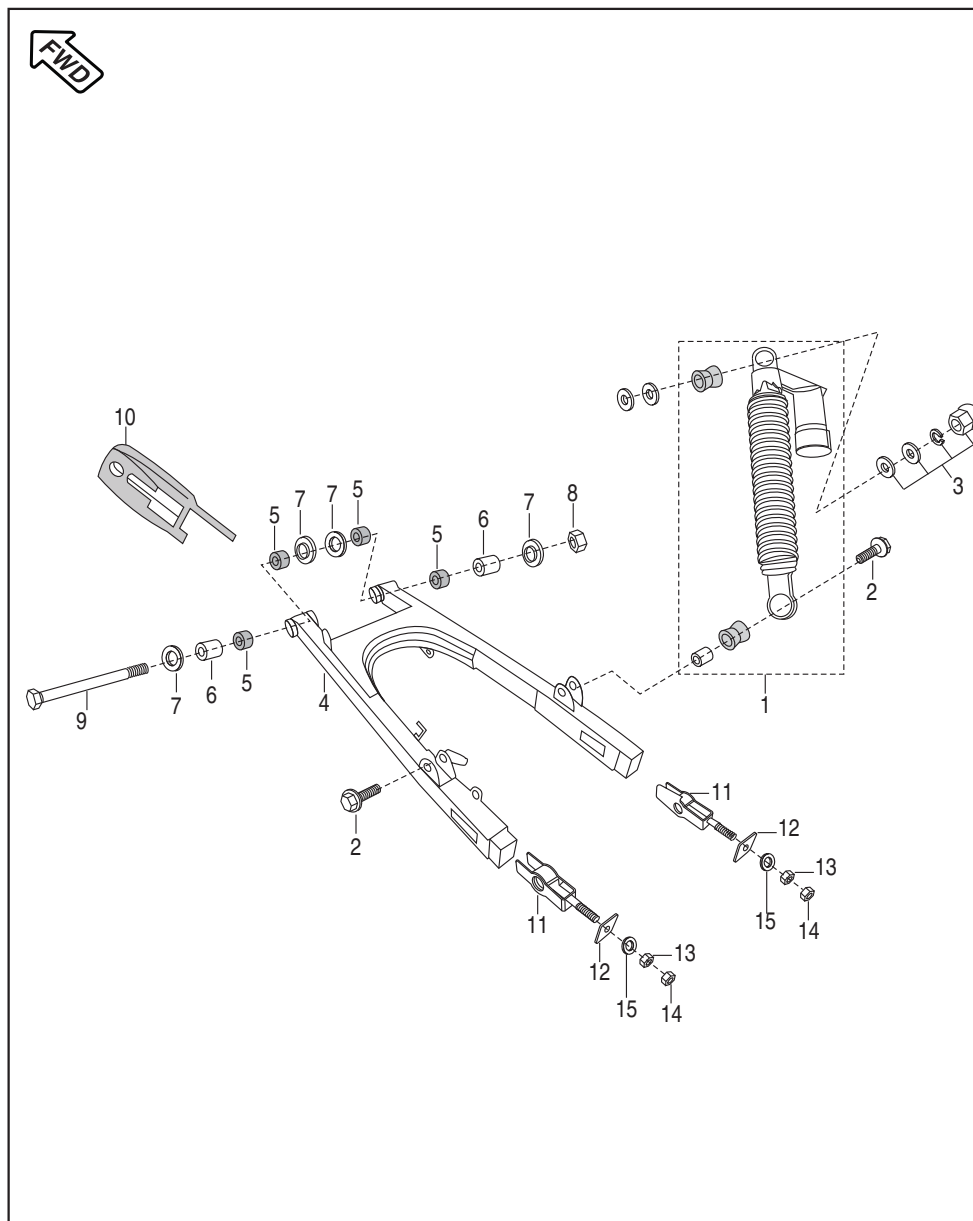
No.	Part No.	Description	Qty. /Veh.	Remarks
1	DK 1610 96	Bkt. Assly. Eng. Mtg. front	2	
2	DH 1611 89	Bkt. Comp. LH eng. Mtg. front	1	
3	DH 1611 90	Bkt. Comp. RH eng. Mtg. front	1	
4	36 DK00 11	Kit hardware eng. mounting	1	Ref. Page No.102
5	DK 1611 59	Bkt. comp. LH eng. mtg. lower	1	
6	DK 1611 60	Bkt. comp. RH eng. mtg. lower	1	
7	39 2571 04	Bolt Flanged	2	
8	39 2412 04	Bolt Flanged	1	Alt.39 231104
9	DH 1611 61	Bush in frame	1	
10	39 1967 04	Bolt	1	
11	59 0400 43	Hex. Soc. Hd. cap bolt	1	
12	DK 1611 61	Bkt. Comp. RH eng. rear	1	
13	39 2310 04	Flanged bolt	2	
14	39 2311 04	Bolt	1	
15	39 1040 11	Washer	1	
16	JC 1610 28	Bracket LH Engine Hanger	1	
17	JC 1610 15	Bracket RH Engine Hanger	1	

Frame & Frame Fittings



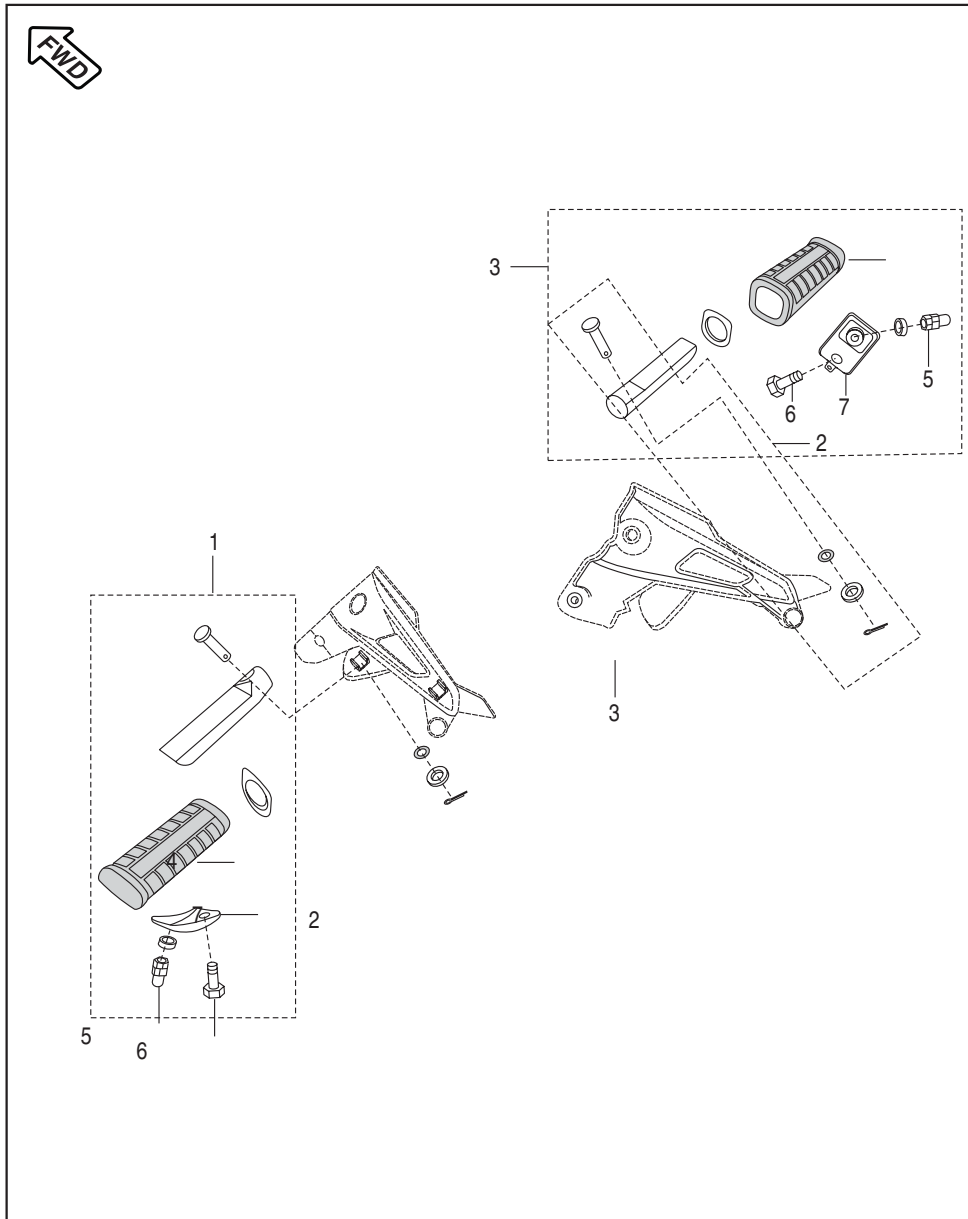
No.	Part No.	Description	Qty. /Veh.	Remarks
1	JC 1610 31	Frame Assl. comp.	1	
2	DH 1611 12	Cup rear	2	
3	DG 1810 48	Nut	1	
4	DG 1810 42	Cup - Steering	1	
5	36 DV00 03	Bearing Cone Kit	1	Ref. Page No.102
6	30 1012 36	Ball steel	40	
7	39 1680 04	Flanged bolt	2	
8	DJ 1611 32	Cable Hook LH	1	
9	DJ 1611 33	Cable Hook RH	1	
10	DK 1810 50	Cage steering bearing top	1	N.I.
11	DK 1810 51	Cage steering bearing bottom	1	N.I.

Swing Arm / Rear Shock Absorber



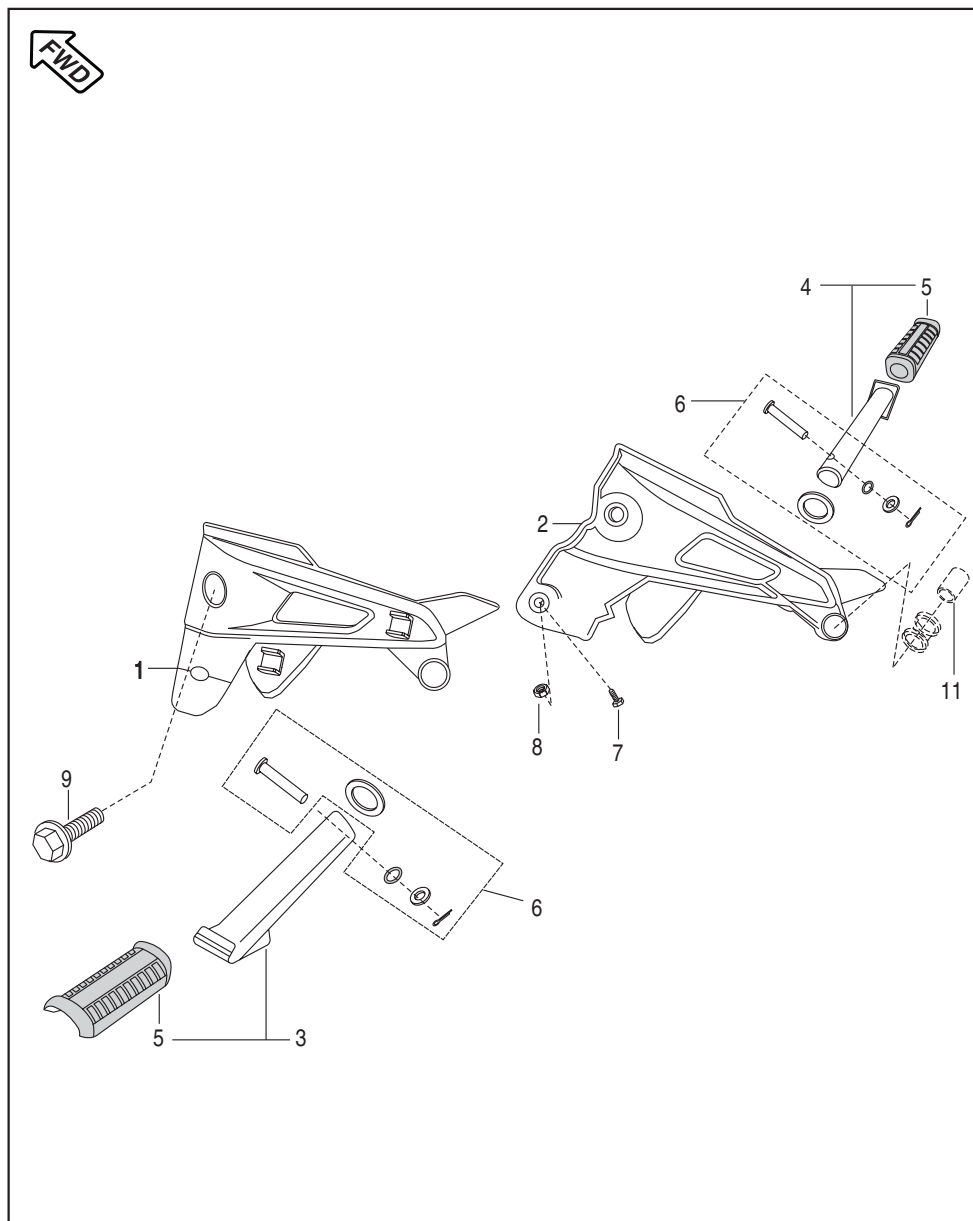
No.	Part No.	Description	Qty. /Veh.	Remarks
1	JC 1710 03	Rear Shock Absorber	2	Alt. DK171014
2	DG 1710 38	Bolt Pre-coated	2	
3	36 DK00 12	Kit bush rear shock	1	Ref. Page No.102
4	DJ 1710 35	Swing arm assly.	1	
5	DG 1710 18	Swing arm bearing	2	
6	DK 1710 06	Collar swing arm	2	
7	DG 1710 19	Oil seal swing arm	4	
8	DH 1710 19	'U' nut swing arm	1	
9	DK 1710 03	Shaft swing arm	1	
10	DG 1710 34	Chain slider	1	
11	DG 1710 21	Adjuster chain	2	
	JM 1710 03	Adjuster chain - Plastic	2	From 29.10.2010
12	DG 1710 20	Plate Chain Adjuster	2	
	JM 1710 04	Plate Adjuster chain - Plastic	2	From 29.10.2010
13	39 1997 15	Hexagon nut	2	
14	DG 1710 22	Small nut	2	
15	39 1224 11	Washer	2	

Rider Foot Rest



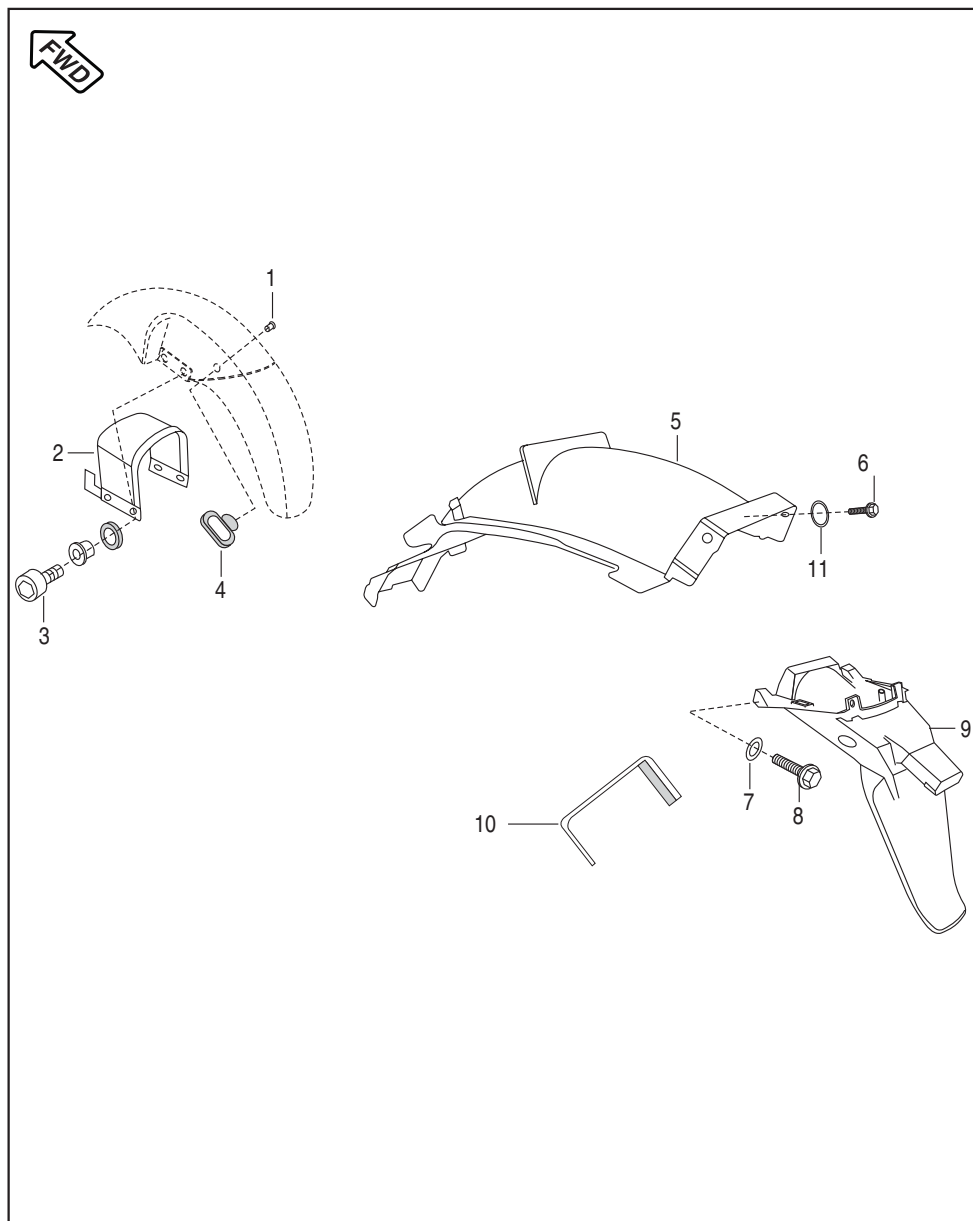
No.	Part No.	Description	Qty./Veh.	Remarks
1	DJ 1611 26	Main step LH assly.	1	
2	36 DK00 13	Kit Hardware Main Step	2	
3	DJ 1611 27	Main step RH assly.	1	
4	DH 1610 53	Rubber main step	2	
5	39 1282 15	Domed Cap Nut M-8	2	
6	22 1504 51	Bold Hexagon Head	2	
7	DH 1610 56	Plate Coml. Low M/Step	2	

Pillion Foot Rest / Holder



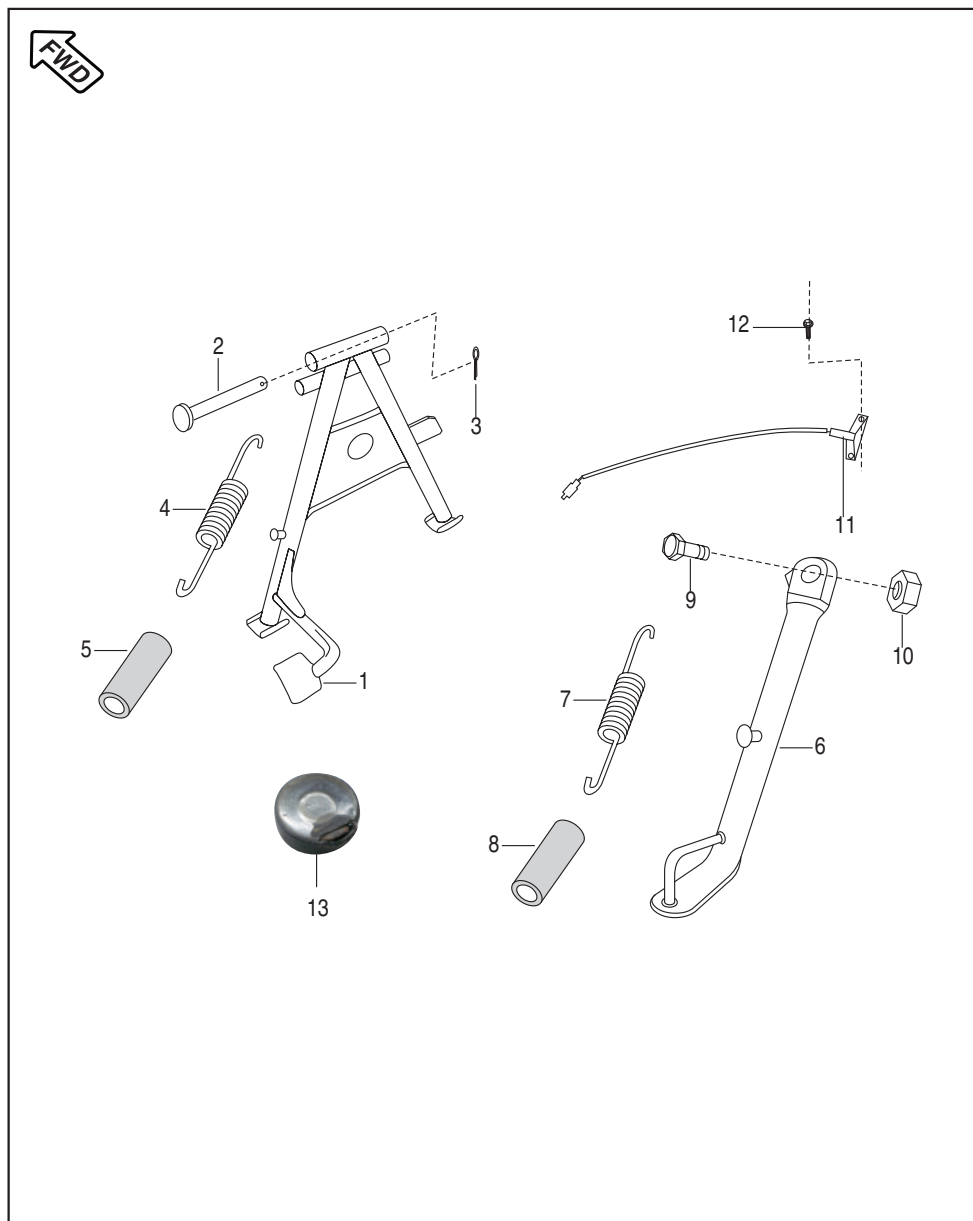
No.	Part No.	Description	Qty. /Veh.	Remarks
1	DK 1611 37	Holder LH step	1	
	52 DK01 67	Holder LH step-Black	1	From 05.10.2010
	DK 1613 08	Holder LH Step	1	From 17.08.2011
2	JC 1610 02	Holder RH step	1	
	52 DJ04 16	Holder LH step-Black	1	from 05.10.2010
	DJ 1613 24	Holder RH step	1	From 17.08.2011
3	DJ 1611 28	Pillion step assly. comp. LH	1	
4	DJ 1611 29	Pillion step assly. comp. RH	1	
5	DJ 1611 22	Rubber pillion step	2	
6	36 DK00 13	Kit hardware pillion	2	Ref. Page No.102
7	39 1069 01	Screw	1	Stopper bolt
8	39 0292 15	Nut	1	
9	39 1714 04	Flanged Bolt	2	Bott. Mtg. LH & RH
10	DJ 1611 86	Plate lock pillion step	2	NI
11	DH 1611 00	Spacer main step	1	NI

Mudguard - Front & Rear



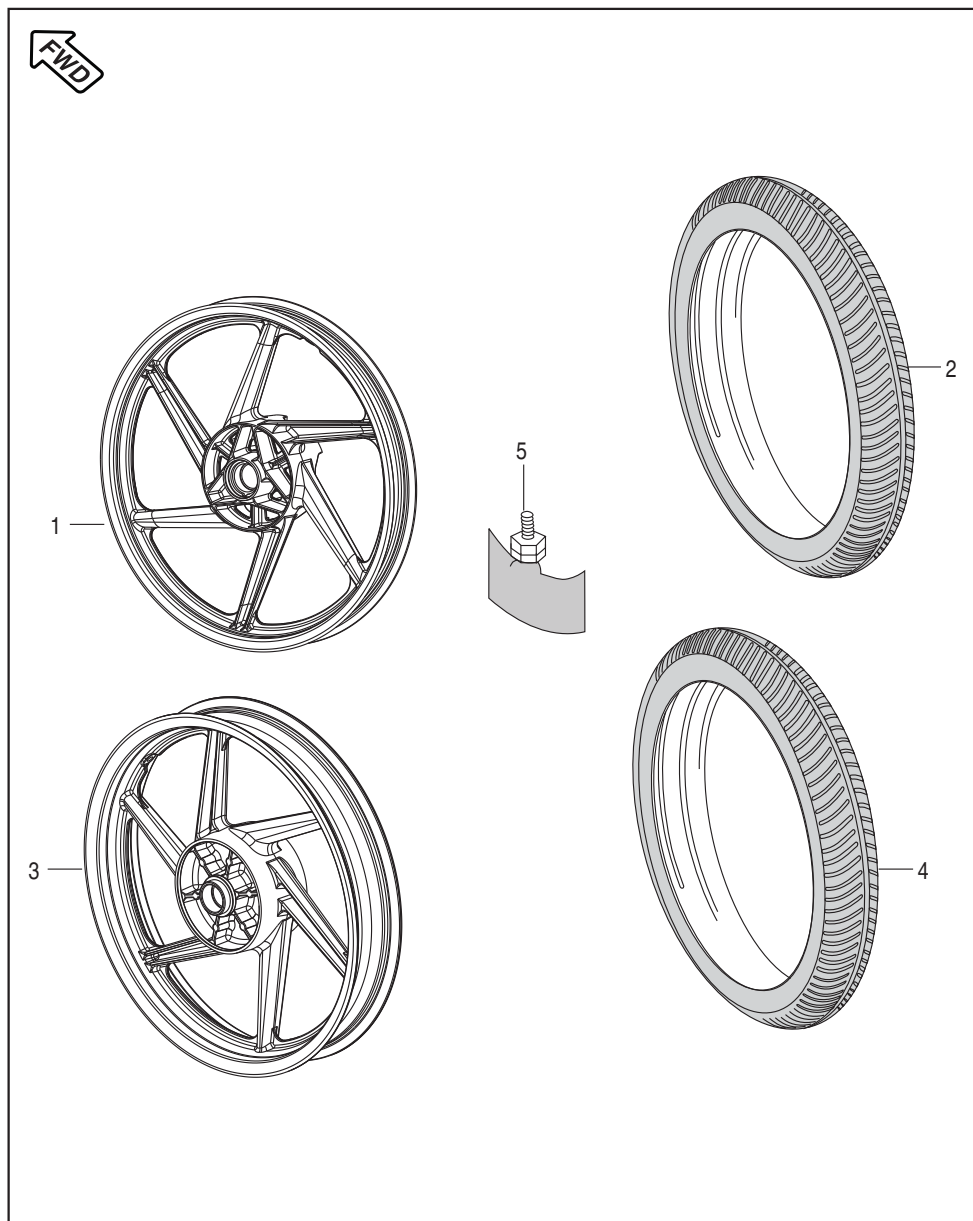
No.	Part No.	Description	Qty./Veh.	Remarks
1	DJ 1610 69	Nail for Cable Guide	1	
2	DK 1610 98	Brace fender	1	
3	59 0400 40	Step bolt	4	Fender front mtg.
4	DS 1611 25	Clamp	1	For cables
5	DK 1610 86	Fender rear front	1	
6	39 1672 04	Flange Bolt M6	2	
7	39 0711 11	Plain washer	2	
8	39 1680 04	Flange bolt	2	
9	DK 1610 85	Fender rear	1	
10	DJ 1612 72	Support assly for rear fender	1	
11	39 0211 11	Plain washer	2	
12	DK 1810 48	Hook Front Brake Hose	1	N.I
13	LA D000 28	Bolt	1	N.I.

Stand Assembly



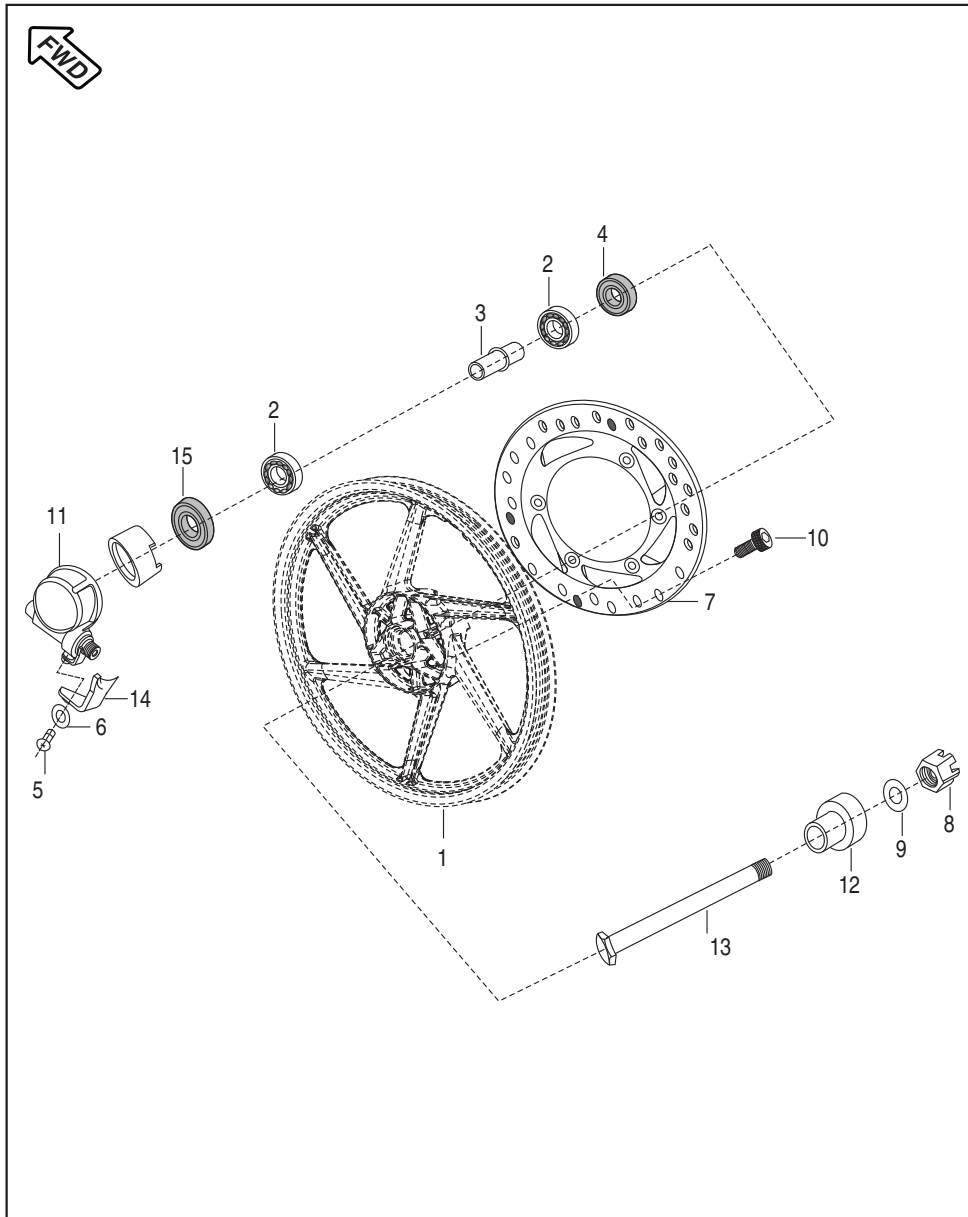
No.	Part No.	Description	Qty./Veh.	Remarks
1	DK 1611 22	Stand main	1	
2	30 1611 57	Shaft stand	1	
3	39 0787 08	Pin cotter	1	
4	DH 1611 21	Spring main stand	1	
5	DH 1611 45	Cover spring main stand	1	
6	JC 1610 17	Stand side	1	
7	DH 1610 66	Spring side stand	1	
8	DH 1611 46	Cover spring side stand	1	
9	DF 1611 02	Bolt	1	
10	39 0422 15	Nut	1	
11	JC 2010 39	Side stand switch	1	
12	39 2060 04	Bolt	2	
13	DJ 2011 06	Magnet Assly.	1	

Tube / Tyre / Rim



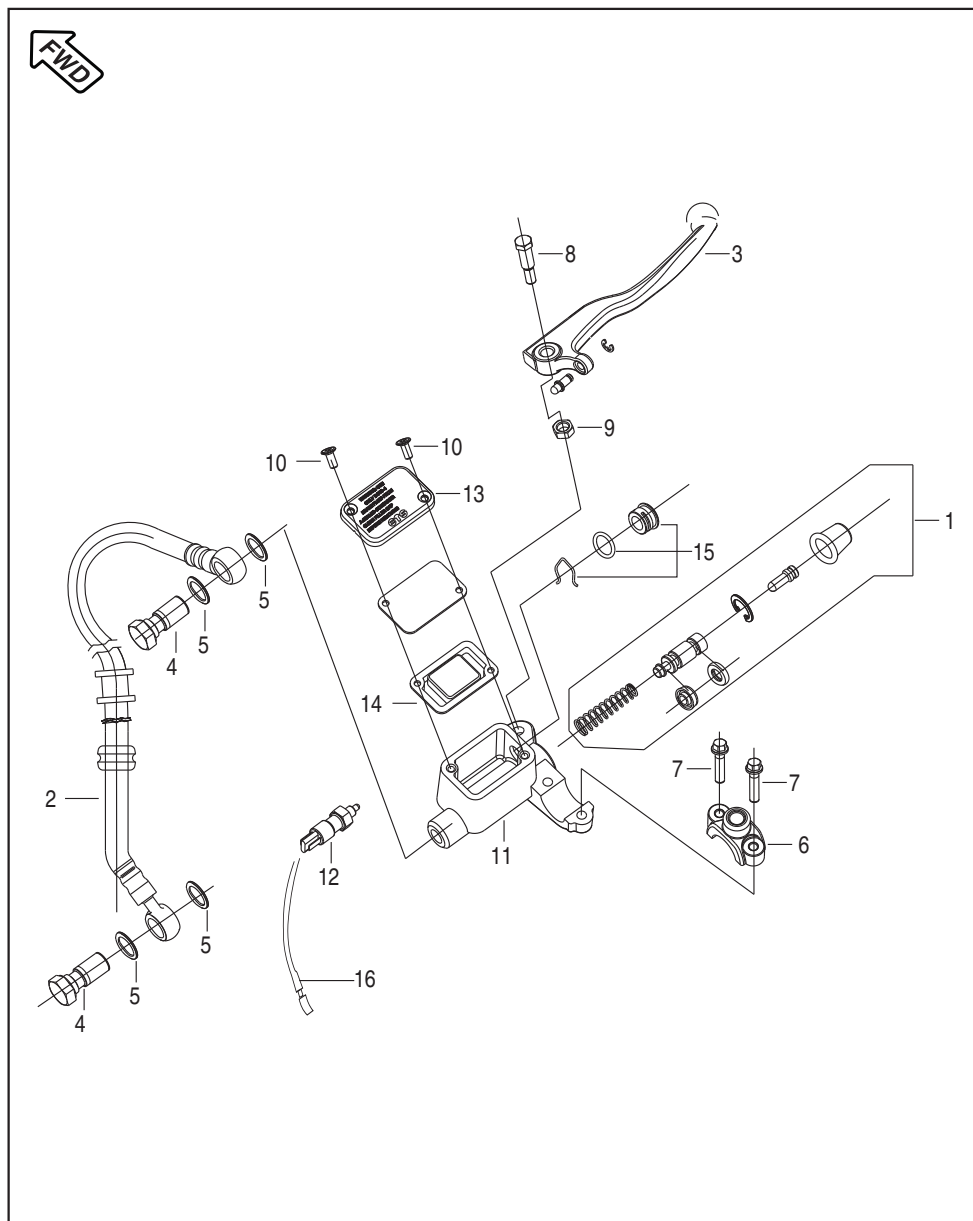
No.	Part No.	Description	Qty. / Veh.	Remarks
1	JC 1510 13	Wheel rim front (16 x 17 DC)	1	
2	DK 1510 39	Tyre front	1	Not Serviceable
3	JC 1510 10	Wheel rim rear	1	
4	DK 1510 40	Tyre rear	2	Not Serviceable
5	DK 1510 26	Valve for tubeless tyre		

Front Hub (For Disc Brake System)



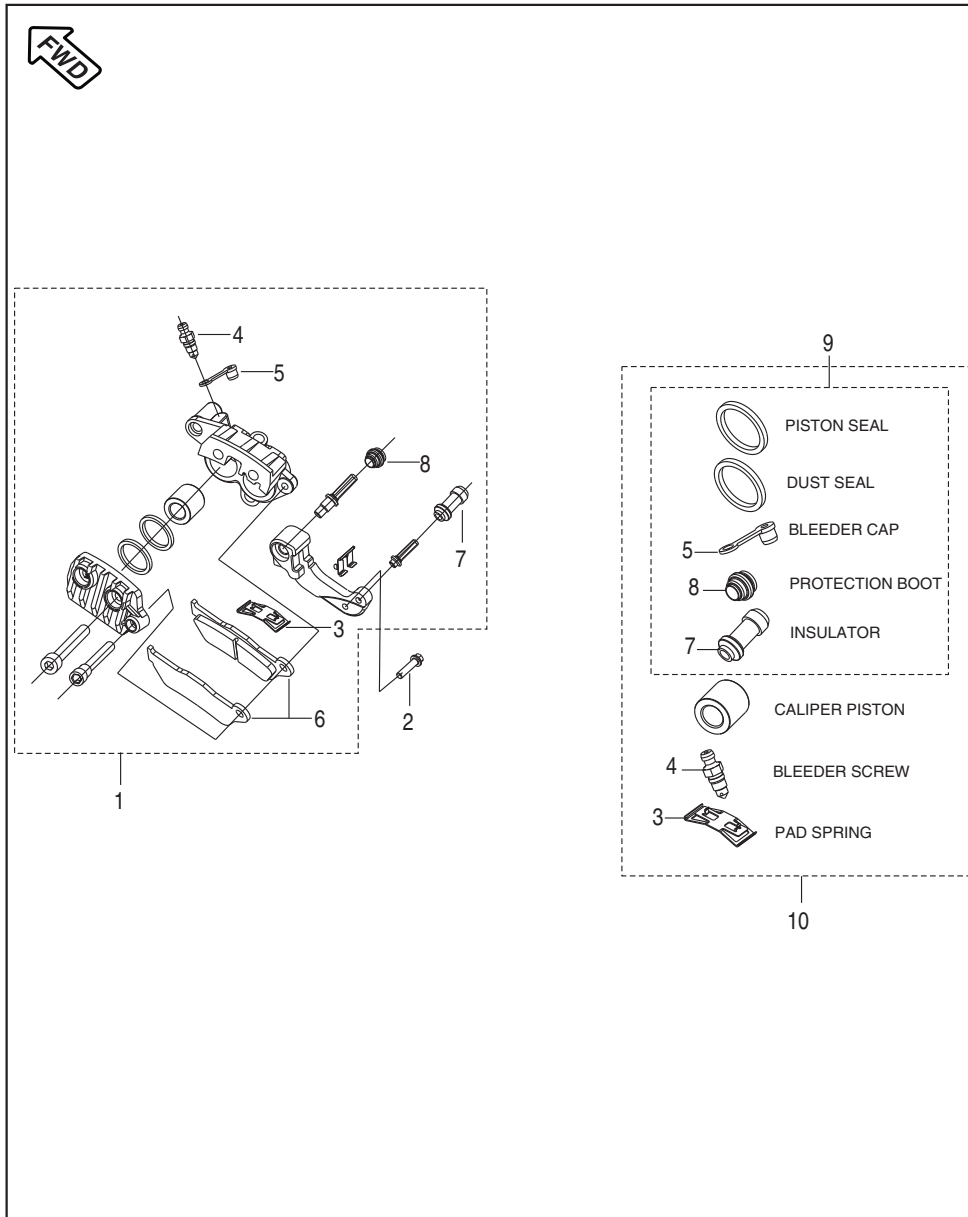
No.	Part No.	Description	Qty. /Veh.	Remarks
1	JC 1510 13	Wheel rim	1	
2	39 2241 20	Bearing ball	2	
3	DK 1510 28	Spacer assly.	1	
4	DG 1510 05	Seal oil	1	
5	39 0840 01	Screw	1	
6	39 0900 12	Washer	1	
7	DK 1510 27	Disc	1	
8	DH 1710 19	U Nut	1	
9	DG 1510 08	Plain washer	1	
10	DG 1510 49	Hex. soc. hd. bolt	6	
11	JC 1510 20	Case meter assly.	1	
12	DG 1510 07	Coller	1	
13	DK 1510 08	Front axle with head	1	
14	JC 2010 46	Stopper plate	1	
15	DE 1510 08	Seal Oil	1	

Front Master Cylinder



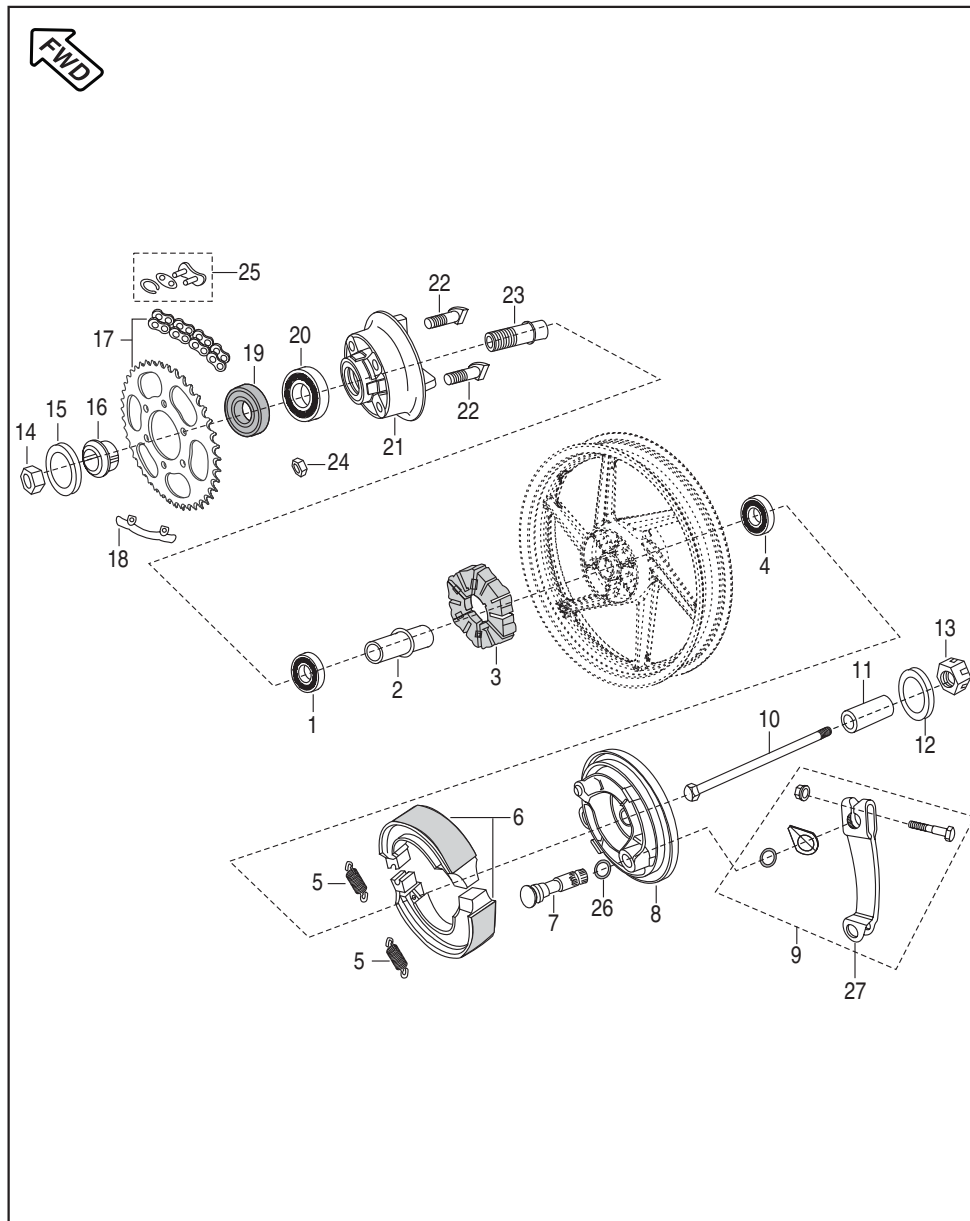
No.	Part No.	Description	Qty. /Veh.	Remarks
1	DJ 1910 23	Major Kit - Master Cylinder	1	
2	DK 1510 37	Hose Brake Front	1	
3	DJ 1910 06	Lever Grip RH	1	
4	DE 1910 11	Banjo Bolt	2	
5	DE 1910 10	Washer Copper	4	
6	DJ 1910 27	Clamp Holder RH	1	
7	DJ 1910 28	Bolt	1	
8	DJ 1910 29	Bolt Front Brake Lever	1	
9	DJ 1910 30	Nut Flanged	1	
10	DJ 1910 31	Screw	2	
11	DE 1510 15	Cylinder Master	1	
12	DJ 2011 00	Front brake switch	1	
13	DJ 1910 34	Reservoir Cover	1	
14	DJ 1910 35	Diaphragm	1	
15	36 DH19 02	Oil Window Kit	1	
16	DJ 2011 08	Cable assly for switch	1	

Front Disc Brake



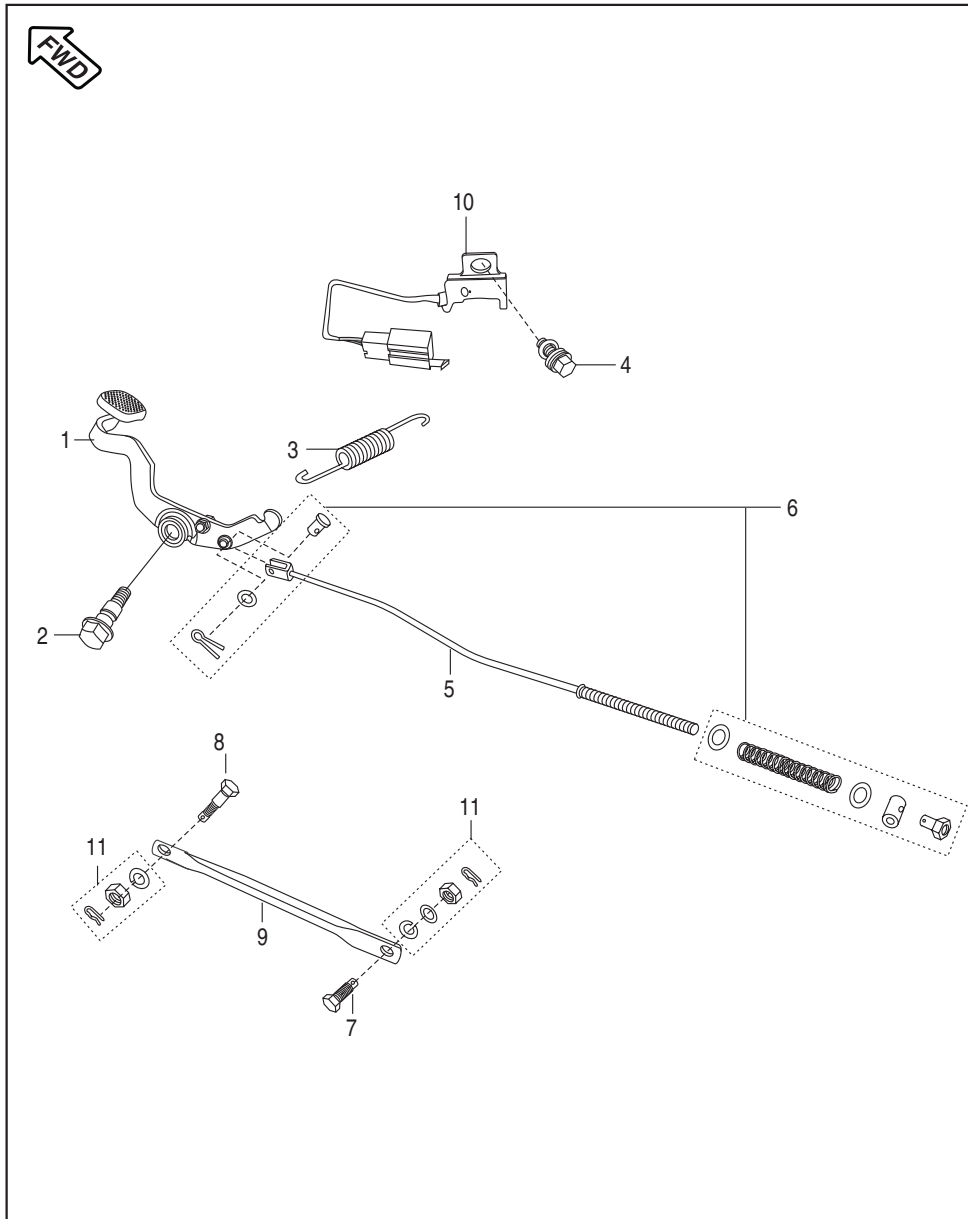
No.	Part No.	Description	Qty. /Veh.	Remarks
1	DK 1510 54	Caliper Assly. Front	1	
2	39 1769 04	Bolt Flanged	2	
3	DE 1510 48	Spring Pad	1	
4	DE 1510 46	Bleeder Screw	1	
5	DE 1510 47	Bleeder Cap	1	
6	DE 1510 37	Disc Pad Set	1	
7	DE 1510 43	Insulator	1	
8	DE 1510 45	Protection Boot	1	
9	DJ 1510 74	Minor Kit - Caliper	1	
10	DJ 1510 75	Major Kit - Caliper	1	

Rear Hub



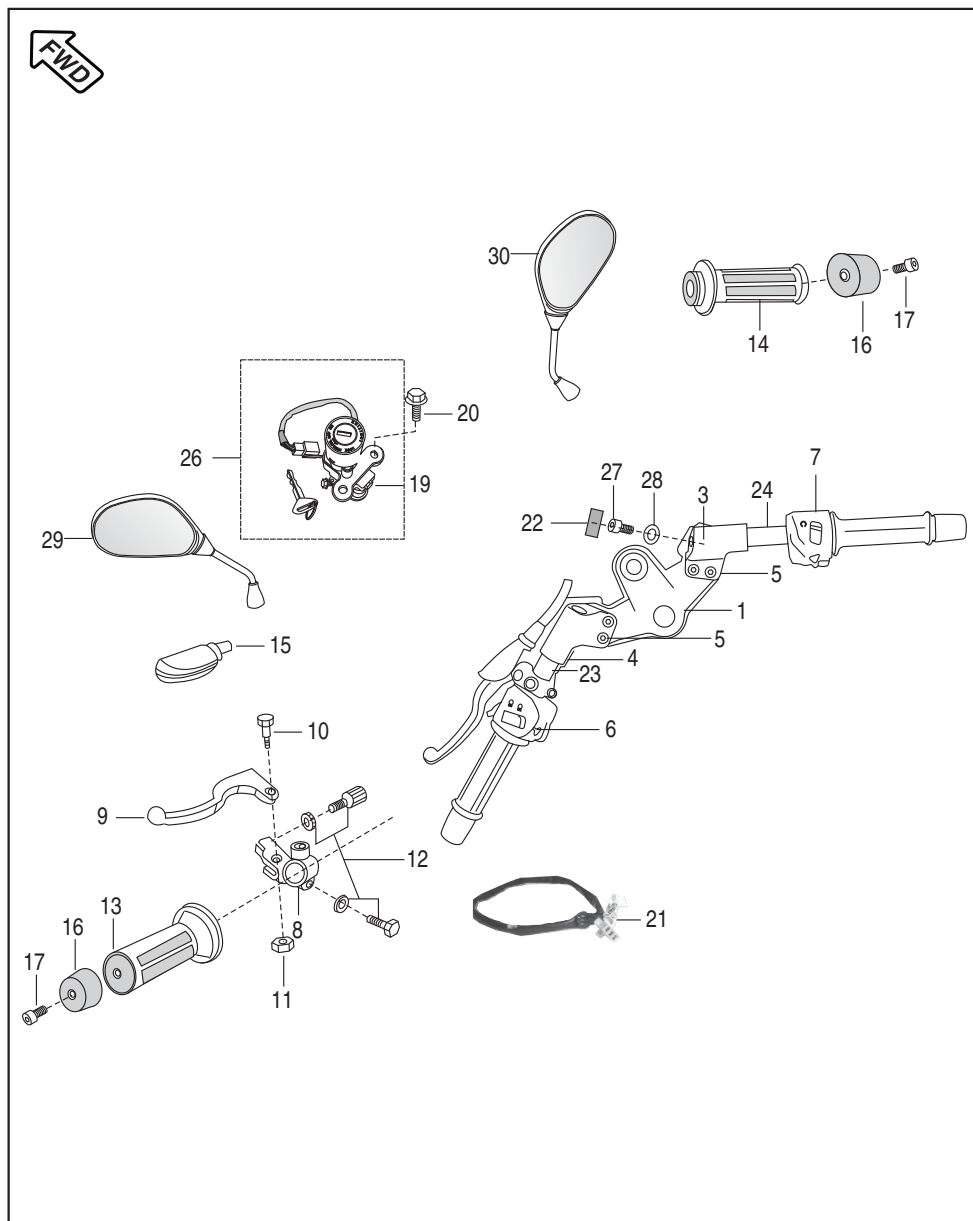
No.	Part No.	Description	Qty./Veh.	Remarks
1	39 2686 20	Bearing ball	1	
2	DK 1510 22	Collar bearing	1	
3	DJ 1510 88	Coupling Rubber	1	
	JG 1312 19	Coupling Rubber	1	From 15.11.2011
4	39 2687 20	Bearing ball	1	
5	30 1510 69	Spring	2	
6	30 1511 05	Shoe brake assly.	1	
7	JC 1510 05	Cam brake	1	
8	JC 1510 02	Panel rear brake	1	
9	36 JC00 07	Kit lever brake	1	Ref. Page No.102
10	DK 1510 09	Axle	1	
11	DK 1510 14	Spacer For Coupling	1	
12	39 1224 11	Plain washer	2	
13	DH 1710 19	'U' nut	1	
14	39 1997 15	Nut	1	
15	39 2566 11	Plain washer	1	
16	JC 1510 11	Spacer	1	
17	36 DK00 36	Chain Sprocket Kit	1	Ref. Page No.102
18	DS 1510 74	Lock washer	3	
19	DK 1510 12	Seal oil	1	
20	DK 1510 13	Bearing ball	1	
21	JC 1510 16	Coupling	1	
22	DS 1510 73	Stud	6	
23	DK 1510 15	Sleeve	1	
24	39 0794 15	Hex. lock nut	6	
25	DK 1510 36	Drive Chain Lock	1	
26	39 0722 11	Washer Cam brake	1	
27	JC 1510 07	Lever Brake	1	

Rear Brake Pedal



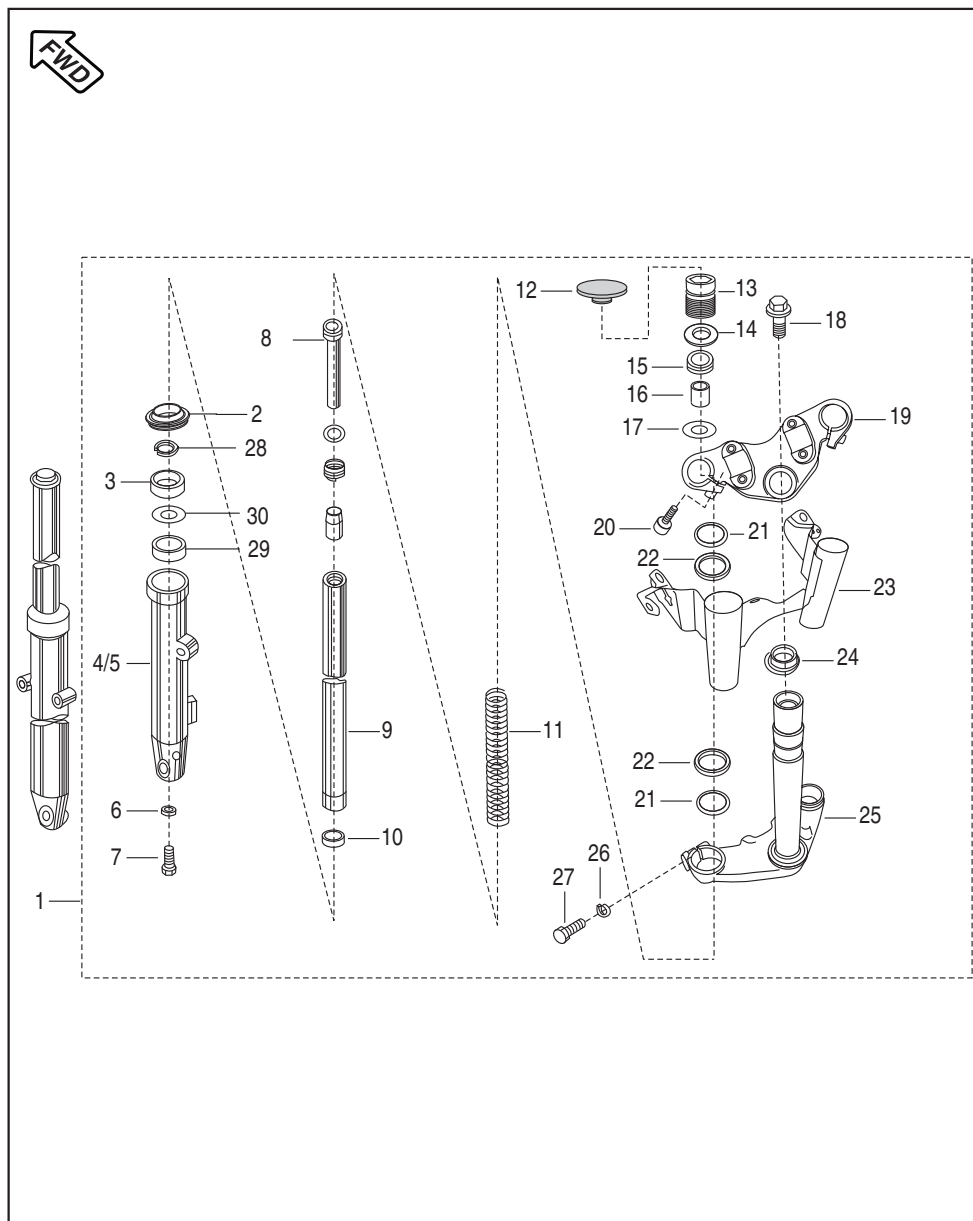
No.	Part No.	Description	Qty. /Veh.	Remarks
1	JC 1910 01	Lever Brake Pedal	1	
2	JC 1910 09	Bolt pivot lever change	1	
3	DK 1910 13	Spring brake pedal	1	
4	39 1062 04	Flange Bolt	1	
5	JC 1910 02	Rod brake	1	
6	36 JC00 06	Kit hardware rod brake	1	Refer Page No.102
7	30 1510 95	Hex. bolt	1	
8	DH 1510 29	Hex. bolt	1	
9	JC 1510 08	Rod Torque	1	
10	JC 2010 04	Rear brake switch	1	
11	36 DH 4015	Kit Hardware torque rod	1	

Handle Bar



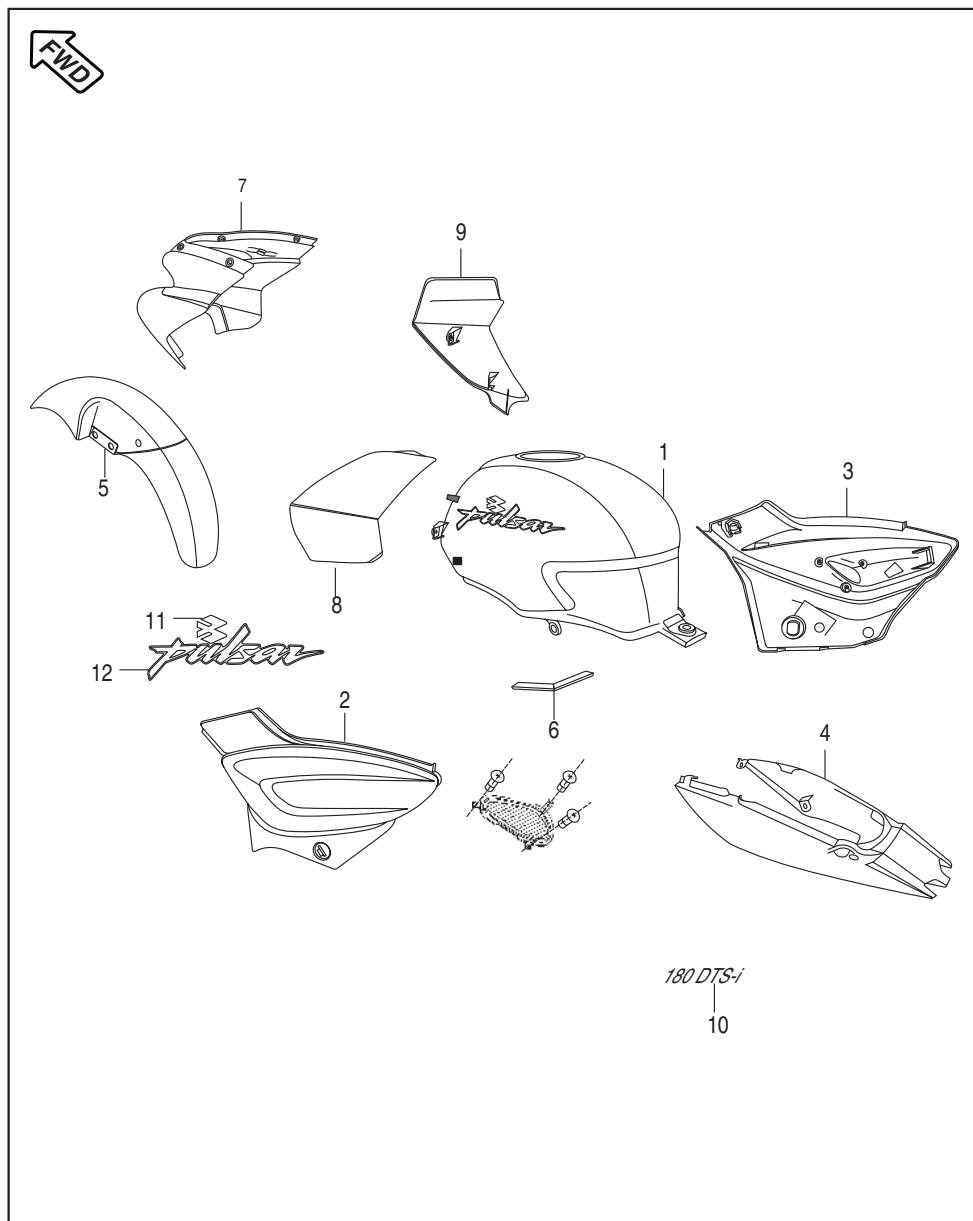
No.	Part No.	Description	Qty./Veh.	Remarks
1	DK 1810 27	Upper Bracket	1	DK181063 (Black)
2	JC 2010 21	Hall sensor assly.	1	N.I.
3	DK 1810 32	Holder handle RH	1	Dk181062 (Black)
	DK 1810 85	Holder handle RH	1	From 15.05.2011
4	DK 1810 39	Holder handle LH	1	DK181060 (Black)
	DK 1810 81	Holder handle LH	1	From 15.05.2011
5	DG 1810 08	Socket bolt	4	
6	JC 2010 17	Control switch LH	1	
	JF 4014 00	Control switch LH (Vehicle without BCU)	1	Ref. Ser. Sir. C-45
7	JC 2010 18	Control switch RH	1	
	JF 4014 01	Control switch RH (Vehicle without BCU)	1	Ref. Ser. Sir. C-45
8	DJ 1910 54	Holder LH	1	
9	DJ 1910 55	Lever LH	1	DJ201083(New)
10	DL 1910 14	Stud lever handle	1	
11	30 1910 17	Self locking nut	1	
12	36 DK00 19	Kit hardware holder LH	1	
13	DH 1910 07	Grip LH	1	
14	DH 1910 14	Grip assly. RH	1	
15	DH 1910 19	Boot for lever LH	1	
16	DJ 1810 11	Handle bar weight	2	
17	39 2427 04	Hex. soc. hd. cap screw	2	
18	DS 1910 52	Lever Boot for Clutch Switch	1	N.I.
19	JC 2010 45	Switch assly. ignition	1	
20	39 1680 04	Flange bolt	2	
21	DJ 2011 95	Clutch Switch	1	DJ201045(New)
22	DK 1810 36	Handle bar plug	2	N.I.
23	DK 1810 46	Handle bar tube assly. LH	1	
	DK 1810 82	Handle bar tube assly. LH	1	From 15.05.2011
24	DK 1810 47	Handle bar tube assly. RH	1	
	DK 1810 86	Handle bar tube assly. RH	1	From 15.05.2011
25	DH 1910 17	Pipe throttle	1	N.I.
26	JC 1810 29	Lock set 4 in 1	1	
27	39 1847 04	Bolt	2	
	LA C000 20	Bolt Socket	2	From 15.05.2011
28	39 1180 11	Washer	2	
29	DJ 2210 03	Mirror Assly. LH	1	
30	DJ 2210 04	Mirror Assly. RH	1	
31	DK 1810 31	Bush Silent Handle Bar	2	N.I.

Front Fork



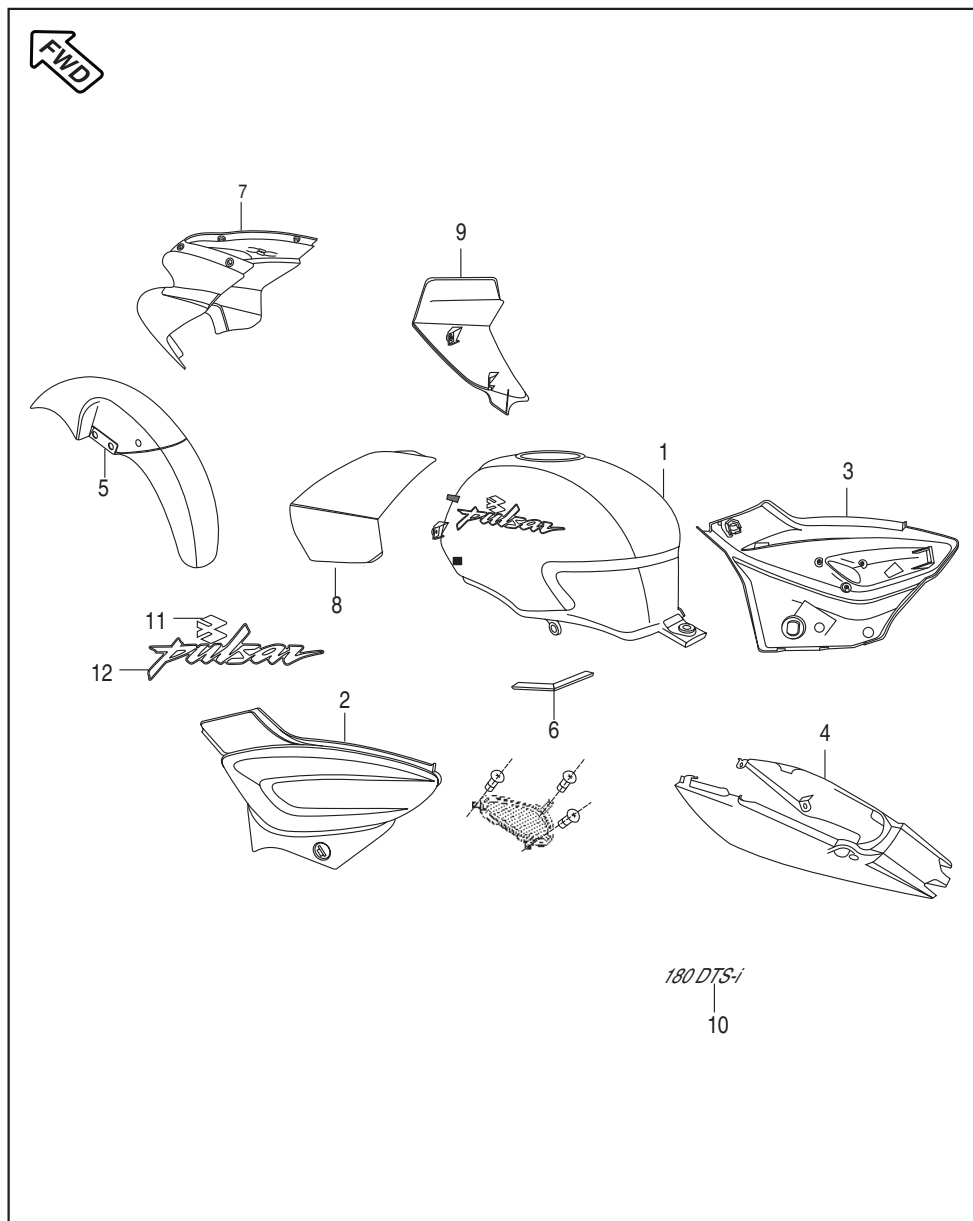
No.	Part No.	Description	Qty. /Veh.	Remarks
1	DK 1810 72	Fork front	1	
2	DK 1810 21	Dust seal outer tube	2	
3	DK 1810 19	Oil seal	2	
4	DK 1810 56	Outer Tube LH	1	
5	DK 1810 57	Outer Tube RH	1	
6	DK 1810 07	Gasket	2	
7	DK 1810 06	Bolt	2	
8	DK 1810 10	Cylinder comp. fork	2	
9	DK 1810 70	Pipe comp. suspension inner	2	
10	DK 1810 11	Slide Bush	2	
11	DK 1810 14	Spring front fork	2	
12	DH 1810 09	Grommet Top	2	
13	DK 1810 22	Bolt fork	2	
14	DK 1810 23	'O' ring	2	
15	30 1810 28	Seat fork spring	2	
16	DK 1810 71	Spacer Tube	2	
17	DK 1810 18	Washer	2	
18	59 0400 05	Bolt	1	
19	DK 1810 27	Upper Bracket	1	
20	DG 1810 08	Socket Bolt	2	
21	JC 1810 23	Cushion Rubber	2	
22	JC 1810 22	Cover Trail B	4	
23	JC 1810 24	Lamp Shade asly.	1	
24	DG 1810 45	Bearing cone	1	
25	DK 1810 24	Holder fork under	1	
26	DK 1810 25	Spring washer	2	
27	DK 1810 26	Bolt	2	
28	DK 1810 20	Ring Snap	2	
29	DK 1810 17	Guide Bush	2	
30	DK 1810 18	Washer Ring Snap	2	

Painted Parts & Decals



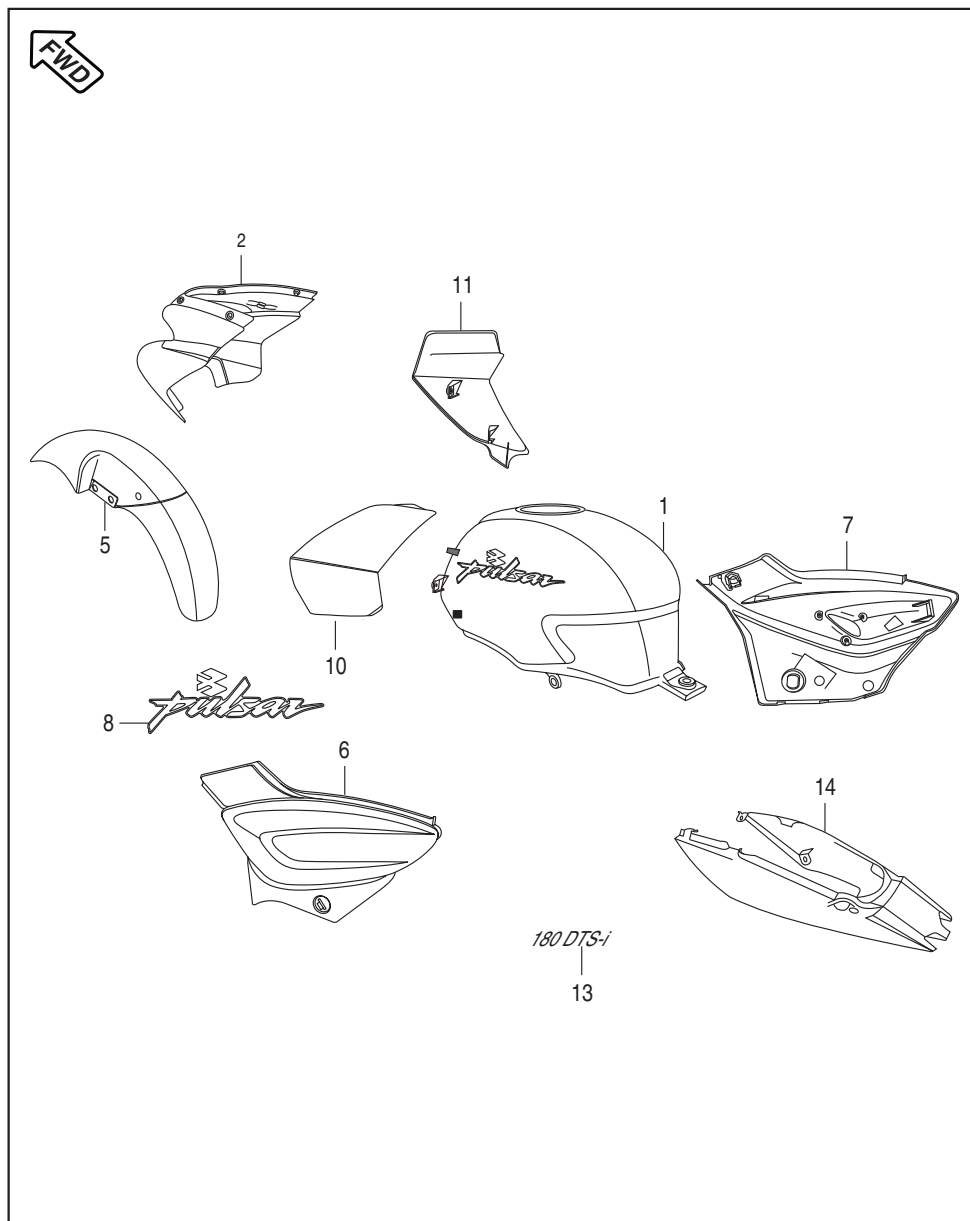
No.	Part No.	Description	Qty./Veh.	Remarks	
1	DJ 7201 4M	Fuel Tank with Decal	1	Midnight Black	
	DJ 7201 2V	Fuel Tank with Decal	1	Cocktail Wine Red	
	DJ 7201 4K	Fuel Tank with Decal	1	Plasma Blue	
	DJ 7201 4L	Fuel Tank with Decal	1	Misty Gray Silver	
	DJ 7201 5C	Fuel Tank with Decal	1	Orange Mica	
	DJ 7107 5G	Fuel Tank With Dual PI Blue Dcl	1	From 17.08.2011	
	DJ 7107 5F	Fuel Tank With Dual CW Red Dcl	1	From 17.08.2011	
2	52 DH05 34	Side cover LH	1	Midnight Black	
	52 DH05 30	Side cover LH	1	Cocktail Wine Red	
	52 DH05 28	Side cover LH	1	Plasma Blue	
	52 DH05 32	Side cover LH	1	Misty Gray Silver	
	3	52 DH05 35	Side cover RH	1	Midnight Black
		52 DH05 31	Side cover RH	1	Cocktail Wine Red
52 DH05 29		Side cover RH	1	Plasma Blue	
52 DH05 33	Side cover RH	1	Misty Gray Silver		
	4	DH 7303 4M	Seat Cowl Assly.	1	Midnight Black
		DH 7303 2V	Seat Cowl Assly.	1	Cocktail Wine Red
DH 7303 4K		Seat Cowl Assly.	1	Plasma Blue	
DH 7303 4L		Seat Cowl Assly.	1	Misty Gray Silver	
DH 7303 5L		Seat Cowl Assly.	1	Orange Mica	
5	DK 7304 4M	Front Fender	1	Midnight Black	
	DK 7304 2V	Front Fender	1	Cocktail Wine Red	
	DK 7304 4K	Front Fender	1	Plasma Blue	
	DK 7402 X3	Front Fender	1	Misty Gray Silver	
6	DH 1410 20	Seat tape	1		
	7	DH 7401 4M	Fairing	1	Midnight Black
DH 7401 2V		Fairing	1	Cocktail Wine Red	
DH 7401 4K		Fairing	1	Plasma Blue	
DH 7401 4L		Fairing	1	Misty Gray Silver	
DH 7401 5C		Fairing	1	Orange Mica	
52 DH06 82		Fairing-Cocktail Wine Red Dual Decal	1	From 17.08.2011	
52 DH06 83		Fairing-Plasma Blue Dual Decal	1	From 17.08.2011	

Painted Parts & Decals



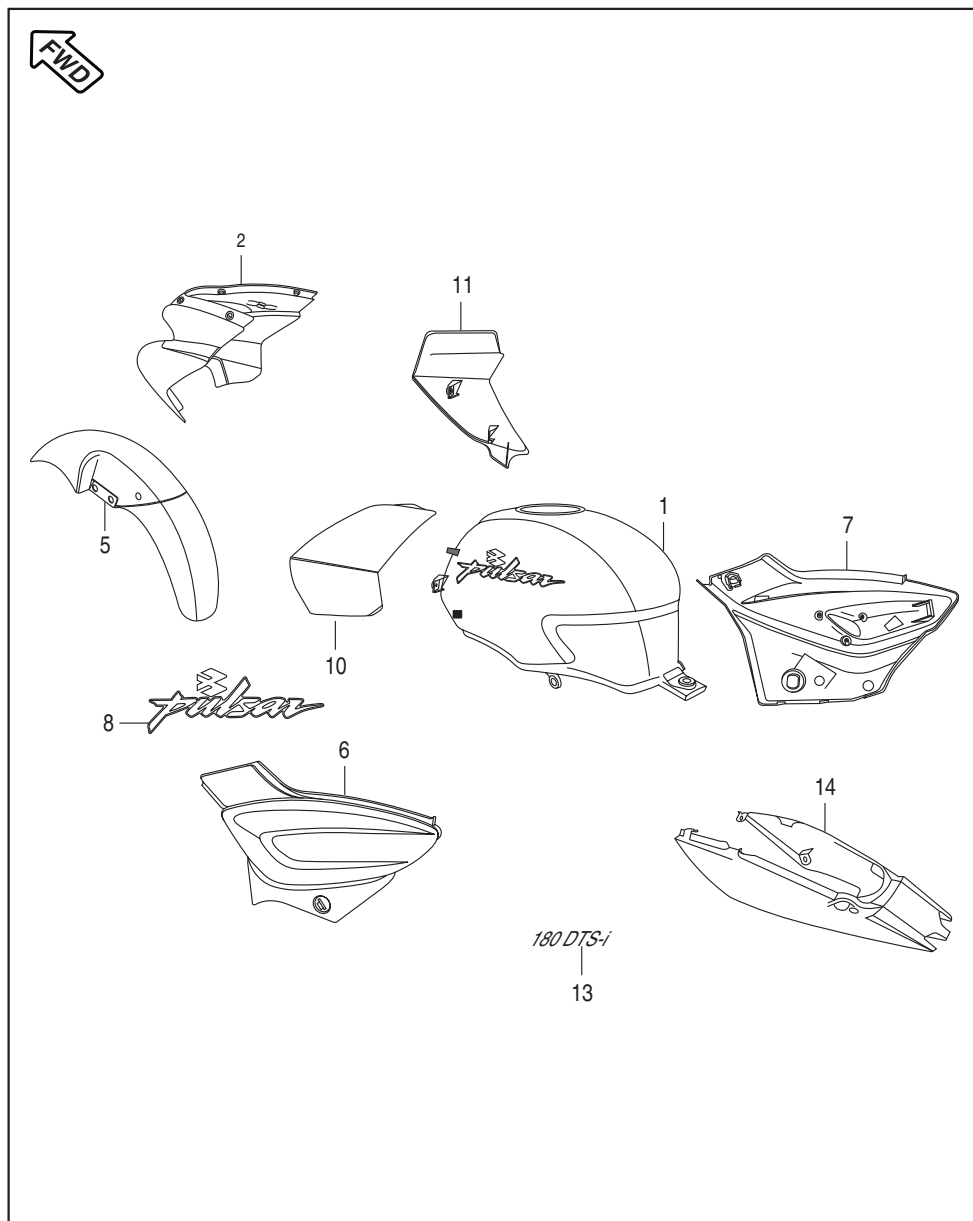
No.	Part No.	Description	Qty./Veh.	Remarks
8	52 DJ03 63	Tank Flap LH	1	Midnight Black
	52 DJ03 57	Tank Flap LH	1	Cocktail Wine Red
	52 DJ03 59	Tank Flap LH	1	Plasma Blue
	52 DJ03 61	Tank Flap LH	1	Misty Gray Silver
	52 DJ04 08	Tank Flap LH	1	Orange Mica
9	52 DJ03 64	Tank Flap RH	1	Midnight Black
	52 DJ03 58	Tank Flap RH	1	Cocktail Wine Red
	52 DJ03 60	Tank Flap RH	1	Plasma Blue
	52 DJ03 62	Tank Flap RH	1	Misty Gray Silver
	52 DJ04 09	Tank Flap RH	1	Orange Mica
10	DJ 1612 98	Pulsar 180 DTS-i	2	Midnight Black
	DJ 1613 07	Pulsar 180	2	From 18.12.2009
	DJ 1612 95	Pulsar 180 DTS-i	2	Cocktail Wine Red
	DJ 1613 04	Pulsar 180	2	From 18.12.2009
	DJ 1612 96	Pulsar 180 DTS-i	2	Plasma Blue
	DJ 1613 05	Pulsar 180	2	From 18.12.2009
	DJ 1612 97	Pulsar 180 DTS-i	2	Misty Gray Silver
	DJ 1613 06	Pulsar 180	2	From 18.12.2009
	DJ 1613 14	Pulsar 180	2	From 20.10.2010
	36 DJ40 23	Kit Seat Cowl Decal (Plasma Blue)	1	From 17.08.2011
	36 DJ40 23	Kit Seat Cowl Decal (Cocktail wine red)	1	From 17.08.2011
11	JC 1410 51	'B' Monogram Tank Black Chrome	2	For Silver Colour
	JC 1410 50	'B' Monogram Tank Gray Chrome Decal	2	For Black,Blue,Red
12	36 JC00 08	Decal Kit LH (Black Chrome)	1	For Silver Colour
	36 JC00 09	Decal Kit RH(Black Chrome)	1	For Silver Colour
	36 JC00 10	Decal Kit LH(Grey Chrome)	1	For Black,Blue,Red
	36 JC00 11	Decal Kit RH(Grey Chrome)	1	For Black,Blue,Red
13	36 DH40 35	Kit Fairing decal (Plasma Blue)	1	N.I.
	36 Dh40 38	Kit Fairing decal (Cocktail wine red)	1	N.I.
14	36 DH40 34	Kit Tank decal (Plasma Blue)	1	N.I.
	36 DH40 37	Kit Tank decal (Cocktail wine red)	1	N.I.
15	36 DK00 84	Kit Side Cover decal (Plasma Blue)	1	N.I.
	36 DK00 88	Kit Side Cover decal (Cocktail wine red)	1	N.I.

Painted Parts - 2 Tone Decals & Graphics



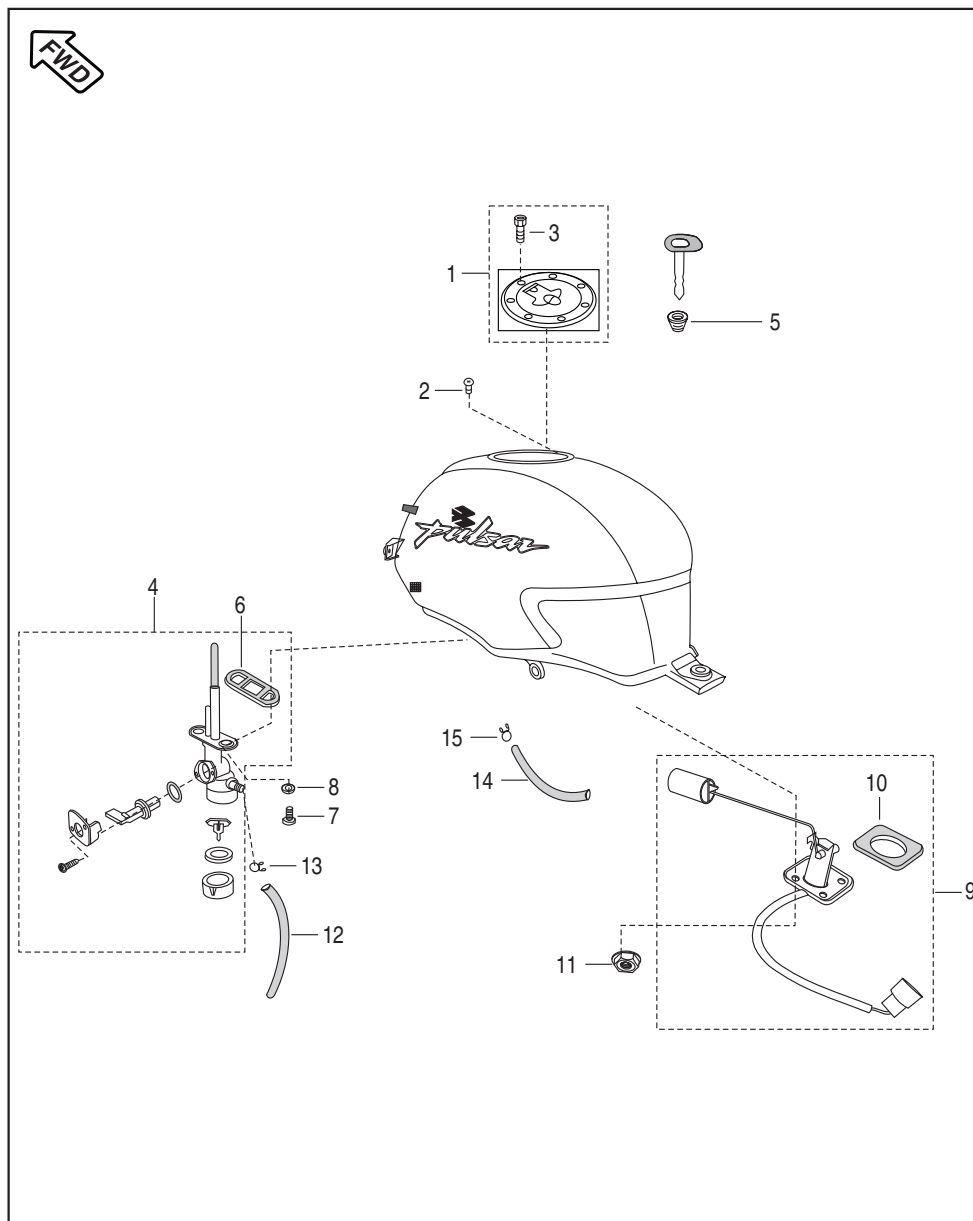
No.	Part No.	Description	Qty./Veh.	Remarks
1	52 DJ05 46	P Tank K1/K2 M Black+S Blue Dcl	1	
	52 DJ05 45	P Tank K1/K2 M Black+W Red Dcl	1	
	52 DJ05 47	P Tank K2 M Black+M White Dcl	1	
	52 DJ06 25	P Tank K2 E Black+ Crome Dcl	1	
2	52 DJ05 17	Fairing Black+Saf Blue Dcl	1	
	52 DJ05 19	Fairing Black+W Red Dcl	1	
	52 DJ05 18	Fairing Black+M White Dcl	1	
	52 DJ05 66	Fairing E Black+Crome Dcl	1	
3	36 DJ40 39	Kit Fairing Dcl S Blue K1/K2	1	
	36 DJ40 37	Kit Fairing Dcl W Red-K1/K2	1	
	36 DJ40 38	Kit Fairing Dcl M White K2	1	
	36 DH40 73	Kit Fairing Dcl E Black Crome	1	
4	36 DJ40 46	Kit Tank Dcl W Red-K1/K2	1	
	36 DJ40 48	Kit Tank Dcl S Blue-K1/K2	1	
	36 DJ40 47	Kit Tank Dcl M Metallic-K2	1	
	36 DH40 85	Kit Tank Dcl E Black Crome	1	
5	52 DJ05 20	Front Fender Assly Saffire Blue	1	
	52 DJ05 22	Front Fender Assly Wine Red	1	
	52 DJ05 21	Front Fender Assly Mettalic White	1	
	52 DJ05 65	Front Fender Assly E Black	1	
6	52 DJ05 32	Cover Side LH Saffire Blue	1	
	52 DJ05 36	Cover Side LH Wine Red	1	
	52 DJ05 34	Cover Side LH Met White	1	
	52 DJ05 62	Cover Side LH E Black	1	
7	52 DJ05 33	Cover Side RH Saffire Blue	1	
	52 DJ05 37	Cover Side RH Wine Red	1	
	52 DJ05 35	Cover Side RH Mettalic White	1	
	52 DJ05 63	Cover Side RH E Black	1	
8	36 DK01 05	Kit Pulsar Dcl Satin Crome-LH	1	
	36 DK01 06	Kit Pulsar Dcl Satin Crome-RH	1	
9	36 DJ40 44	Kit S Cover Dcl M White-K2/K3	1	
	36 DJ40 45	Kit S Cover Dcl S Blue-K1/K2/K3	1	
	36 DJ40 43	Kit S Cover Dcl W Red-K1/K2/K3	1	

Painted Parts - 2 Tone Decals & Graphics



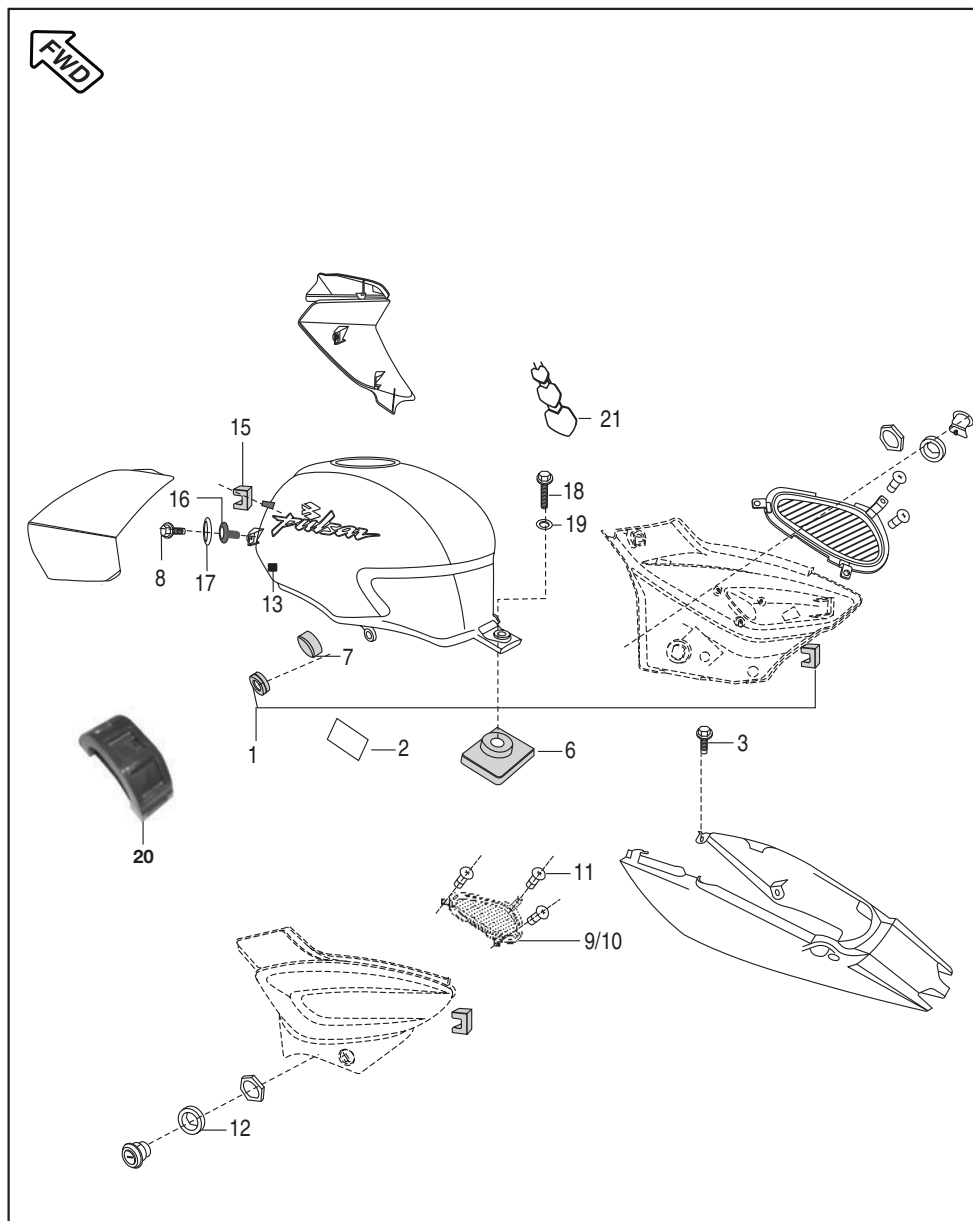
No.	Part No.	Description	Qty./Veh.	Remarks
10	52 DJ05 25	K2 Flap LH Black+M White Dcl	1	
	52 DJ05 23	K2 Flap LH Black+S Blue Dcl	1	
	52 DJ05 27	K2 Flap LH Black+W Red Dcl	1	
	52 DJ05 67	K2 Flap LH E Black+ Crome Dcl	1	
11	52 DJ05 26	K2 Flap RH Black+M White Dcl	1	
	52 DJ05 24	K2 Flap RH Black+S Blue Dcl	1	
	52 DJ05 28	K2 Flap RH Black+W Red Dcl	1	
	52 DJ05 68	K2 Flap RH E Black+ Crome Dcl	1	
12	36 DJ40 50	Kit Tank Spoiler Dcl M White-K2	1	
	36 DJ40 51	Kit Tank Spoiler Dcl S Blue-K1/K2	1	
	36 DJ40 49	Kit Tank Spoiler Dcl W Red-K2	1	
	36 DJ40 53	Kit Tank Spoiler Dcl E Black-Crome	1	
13	36 DJ40 41	Kit S Cowl Dcl M White-K2	1	
	36 DJ40 42	Kit S Cowl Dcl S Blue-K2	1	
	36 DJ40 40	Kit S Cowl Dcl W Red-K2	1	
	36 DJ40 52	Kit S Cowl Dcl E Black-Crome	1	
14	56 DK45 54	Seat Cowl M White	1	
	56 DK45 5N	Seat Cowl S Blue	1	
	56 DK45 27	Seat Cowl W Red	1	
	56 DK45 X3	Seat Cowl E Black	1	

Petrol Cock, Cap Tank & Gauge Fuel



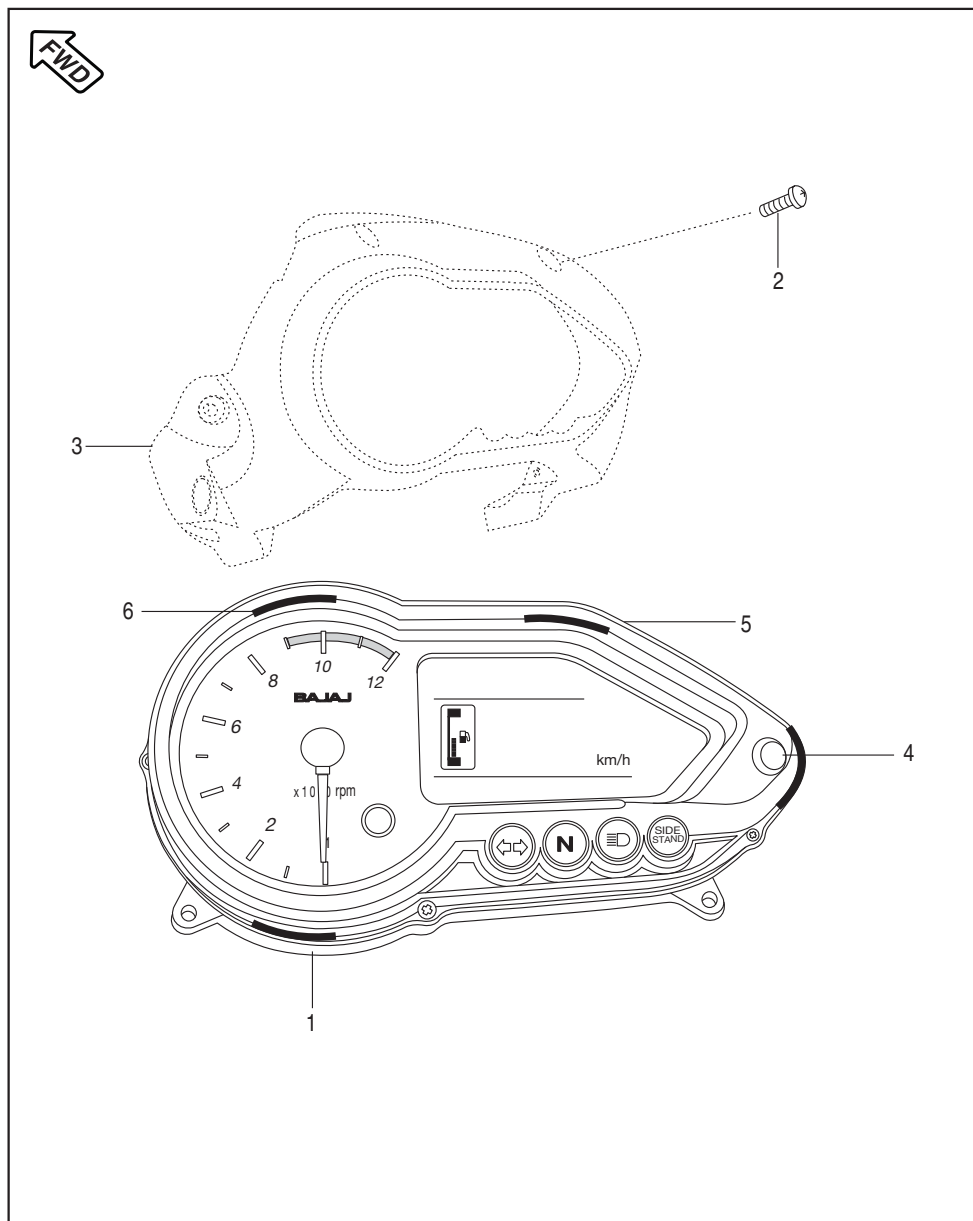
No.	Part No.	Description	Qty. /Veh.	Remarks
1	DK 1410 14	Cap Assly. Tank	1	
2	30 1410 70	Pan head screw	1	Alt. 39 178001
3	39 2381 04	Hex. Soc Hd. cap bolt	7	
4	DK 2010 65	Tap Assly	1	
5	DK 1410 13	Lock Cap Tank	1	
6	30 1410 39	Packing	1	
7	DD 1412 27	Bolt flanged	2	
8	39 0740 11	Plain Washer	2	
9	DK 2010 65	Gauge Fuel	1	
10	30 1410 28	Gasket fuel Gauge	1	
11	39 2484 15	Nut	4	
12	DJ 1410 06	Tube fuel	1	
13	BA 1220 03	Pipe clip	1	
14	DH 1410 24	Drain tube	1	
15	DG 1410 28	Clamp	1	
16	DH 4010 20	Seat Tape	1	

Fitting Petrol Tank Spoiler, Side Cover, Seat Cowl



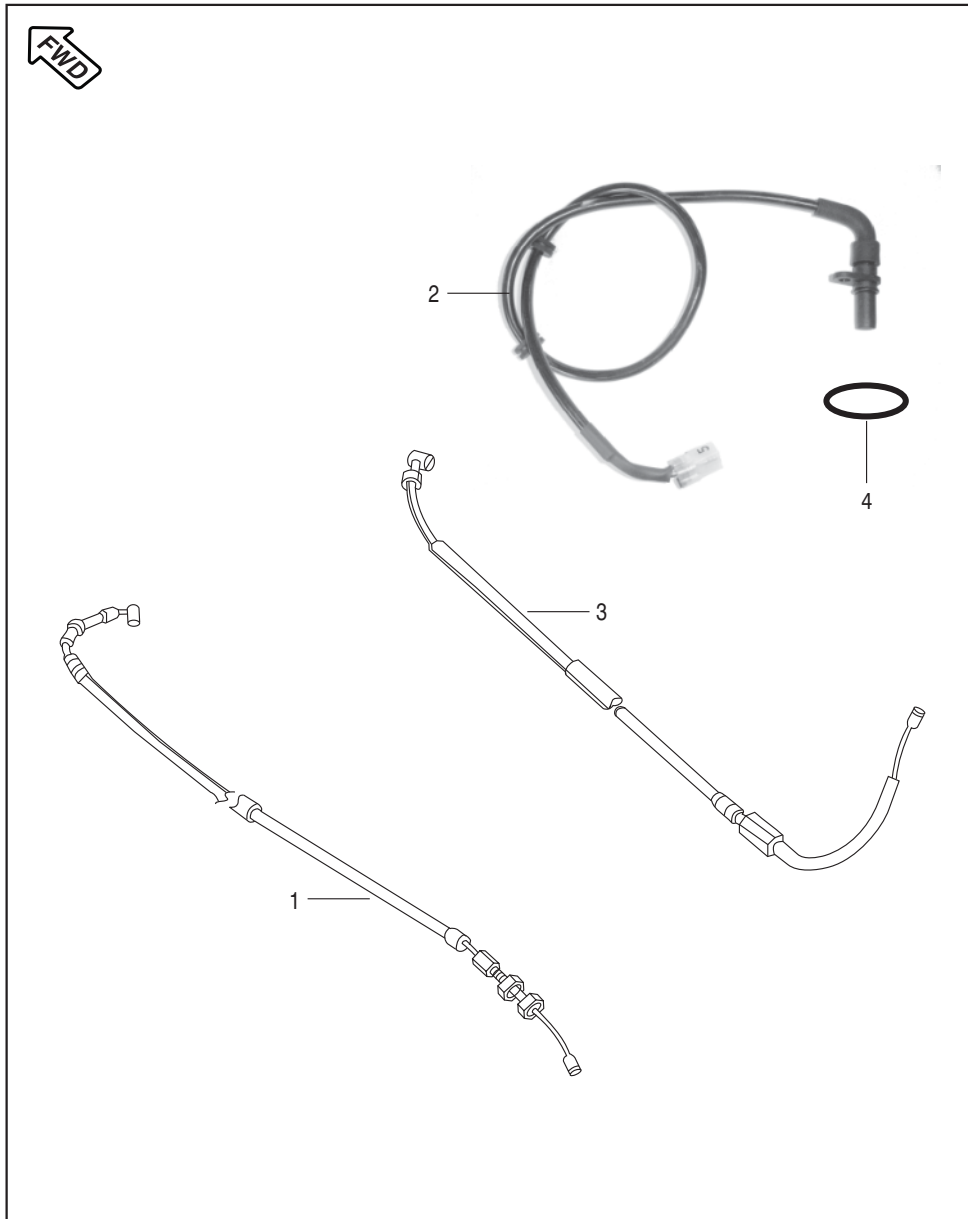
No.	Part No.	Description	Qty. /Veh.	Remarks
1	36 DH16 01	Grommet Kit For side cover	1	Ref. Page No.103
2	DH 1410 31	Tape tank inner	2	
3	39 1606 01	Screw	2	Alt.DG161121
4	39 2424 11	Plain Washer	1	
5	JC 1810 29	Lock Set (4 in 1) with Key	1	N.I.
	DH 1811 19	Lock Set (3 in 1) with Key	1	With ref to F-31
6	DH 1410 23	Damper	1	
7	DJ 1410 08	Damper front	2	
8	39 1902 04	Flanged Bolt	1	
9	DK 1611 23	Cover Side Mesh LH	1	
10	DK 1611 24	Cover Side Mesh RH	1	
11	59 0200 01	Self Tap Screw	6	
12	31 1610 18	Damper	2	
13	JW 1710 07	Dual Tape	2	
14	JD 1710 18	Special Tape	2	
15	JC 1410 15	Grommet	2	
16	JC 1410 17	Grommet II	2	
17	JC 1410 16	Collar	2	
18	39 1556 04	Flange Bolt	1	
19	39 2424 11	Plain Washer	1	
20	DK 1410 17	Damper tank middle	1	
21	DK 1410 15	Tank Pad	1	

Meter Assly



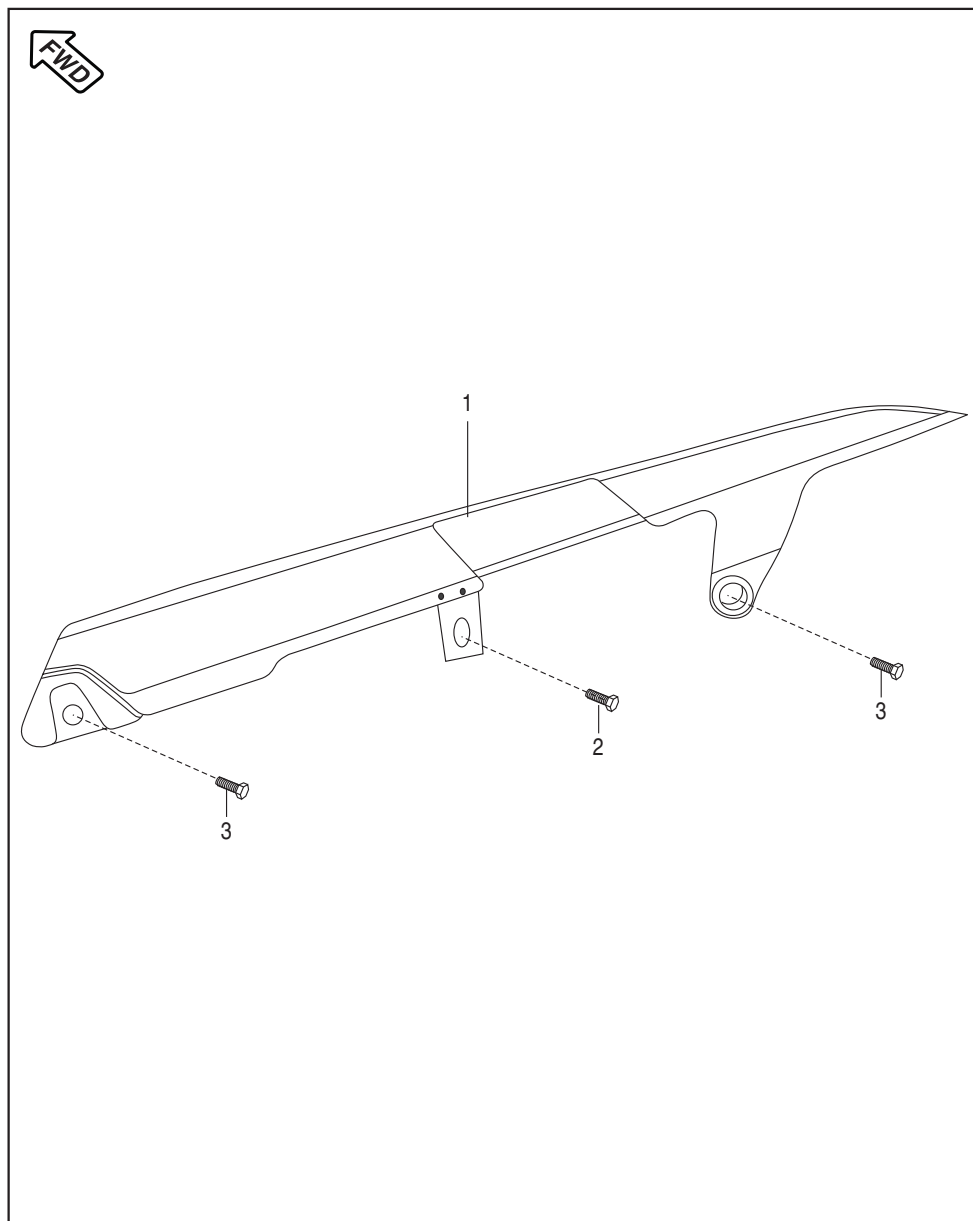
No.	Part No.	Description	Qty. /Veh.	Remarks
1	DJ 1910 71	Meter Assly / Instrument Cluster	1	
	DJ 1910 84	Speedometer (Vehicle without BCU)	1	Ref. Ser. Sir. C-45
2	39 1778 02	Self Tapping Screw	4	
3	DJ 1811 19	Speedometer Cover	1	
4	DJ 2011 74	Trip Meter Knob	1	
5	DJ 2011 59	Speedo Meter Top Cover	1	
6	DK 1612 09	Tape I	4	
7	DJ 2011 90	Housing With Gasket - Pricol	1	

Control Cables



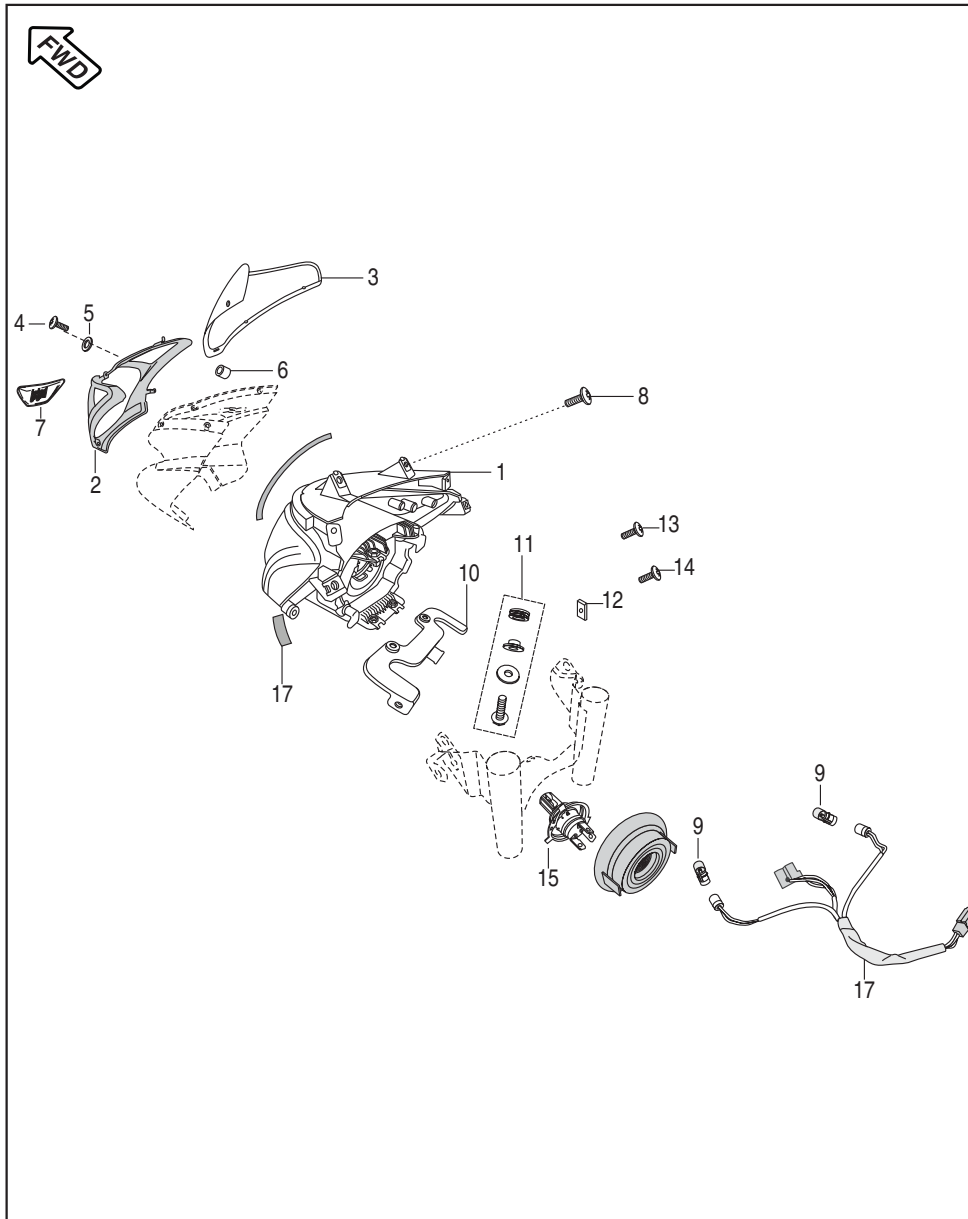
No.	Part No.	Description	Qty. /Veh.	Remarks
1	DJ 1910 61	Cable Accelerator	1	
2	JC 2010 49	Assly. Speedo Sensor with('O' ring)	1	
3	JC 1910 04	Cable Clutch	1	
4	59 2100 19	'O' ring	1	

Chain Cover



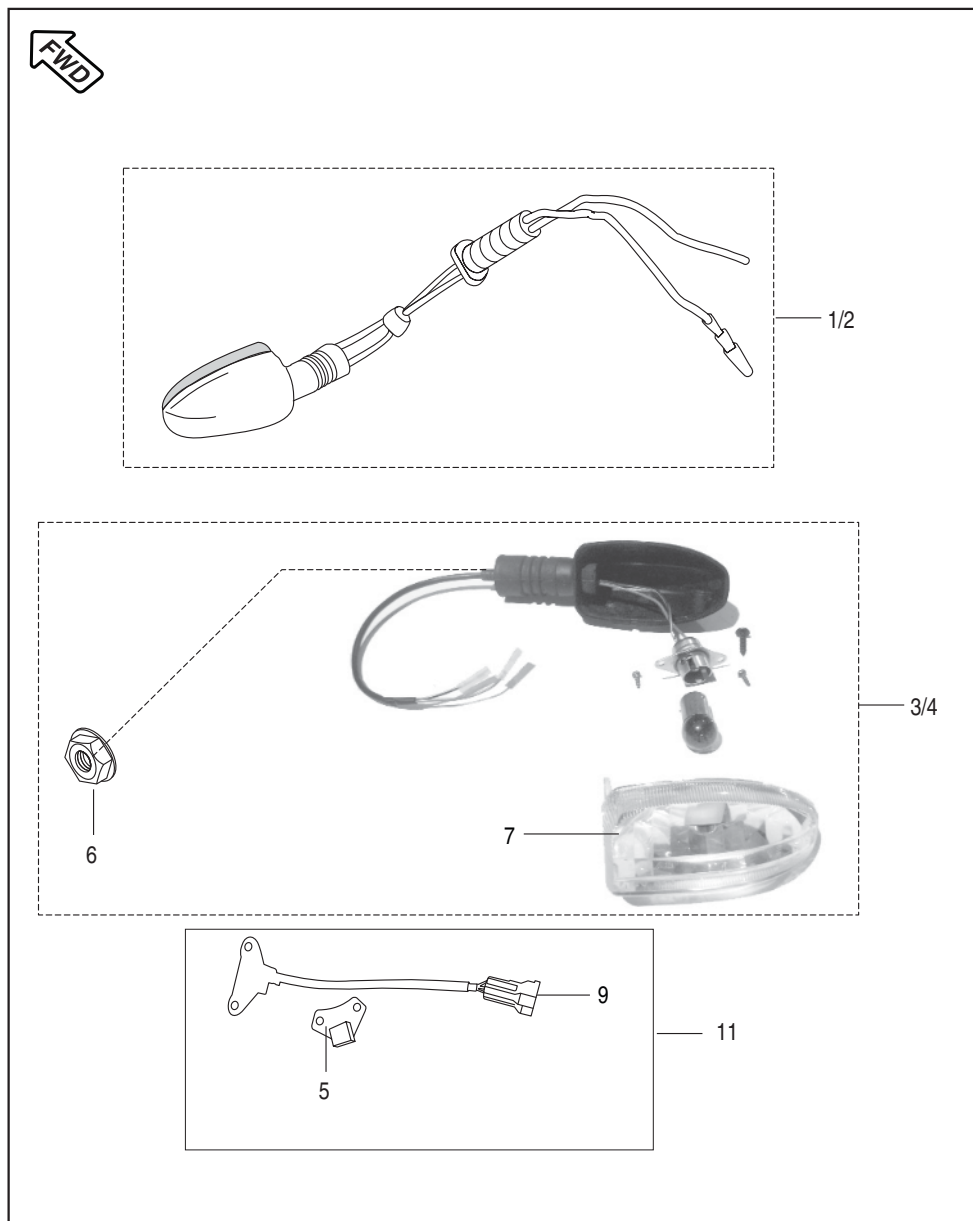
No.	Part No.	Description	Qty. /Veh.	Remarks
1	DK 1611 42	Cover Chain assly	1	
	DK 1612 50	Cover Chain assly	1	From 29.05.2010
2	DH 1612 83	Bolt (Small)	1	
3	39 1680 04	Bolt (Big)	2	
	DS 1612 24	Bolt	2	From 29.05.2010

Head Lamp & Fairing



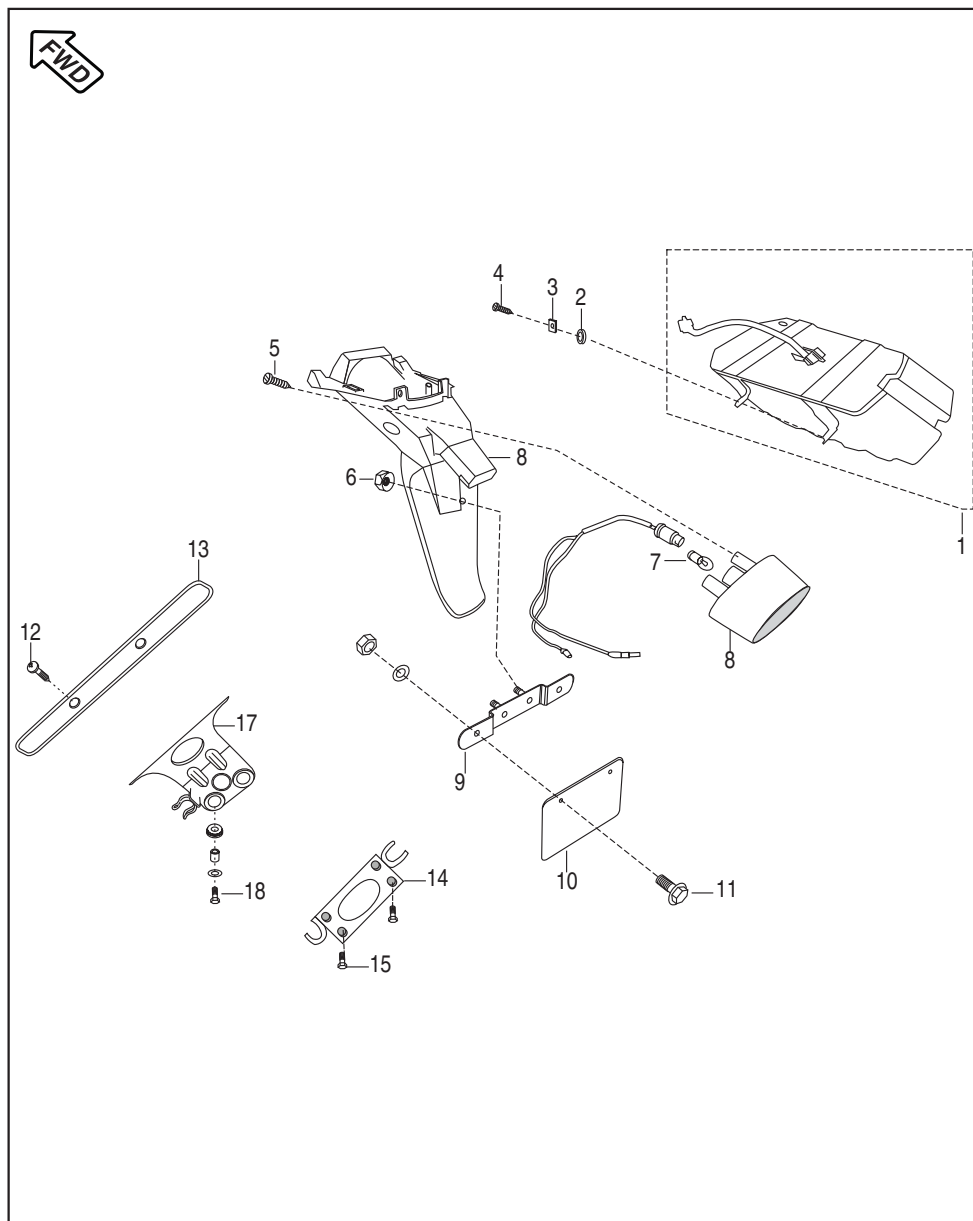
No.	Part No.	Description	Qty. /Veh.	Remarks
1	DJ 2011 32	Head Lamp assly.	1	
	DJ 2011 76	Head Lamp assly. without bulb	1	
2	DJ 1811 20	Head Lamp Mask	1	
3	DJ 1810 33	Wind Shield	1	
4	DF 1810 98	Bolt	4	
5	39 2141 24	Non Metallic Washer	4	
6	DL 1810 10	Well Nut	4	
7	DJ 1810 37	Decal Wind Shield	1	
8	39 1907 01	M5 x 15L mushroom HD	2	
9	DJ 2010 72	Pilot Bulb	2	
10	DH 1810 52	Fairing mounting upper bracket	1	
11	36 DH40 20	Kit hardware mtg. bracket	1	Ref. Page No.103
12	DJ 1612 29	Clip Nut	4	
13	39 0716 01	Screw pan cross	2	
14	39 1524 01	Screw pan cross	2	
15	CL 2010 23	Lamp 12V 35/35W-HS1	1	
16	DJ 1810 69	Packing Fairing	1	
17	DJ 2012 30	H/L Wiring Harness	1	

Indicator Light Assly



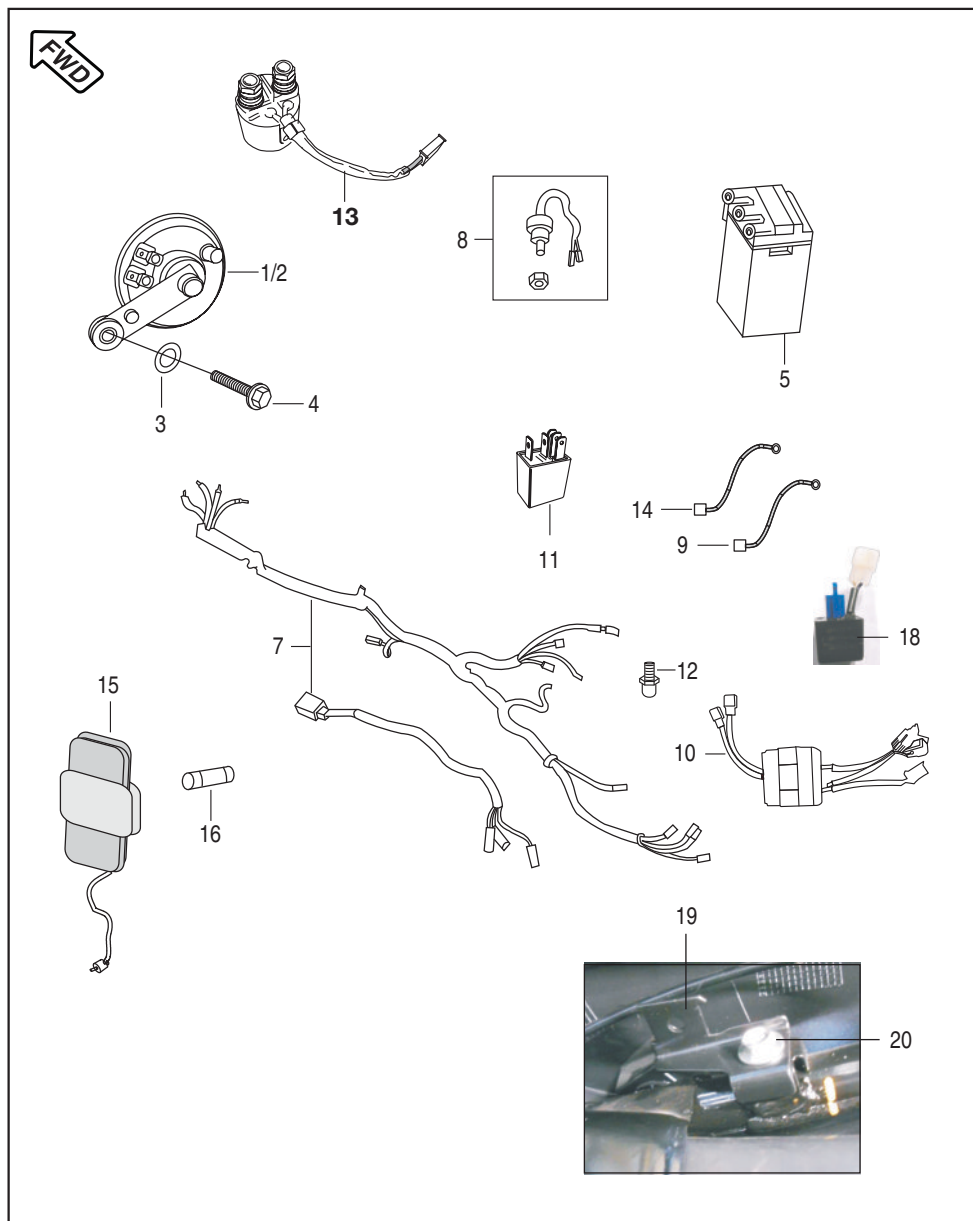
No.	Part No.	Description	Qty. /Veh.	Remarks
1	DJ 2012 08	Blinker Front LH flexible	1	
2	DJ 2012 09	Blinker Front RH flexible	1	
3	DJ 2012 06	Blinker Rear LH flexible	1	
4	DJ 2012 07	Blinker Rear RH flexible	1	
5	DJ 2011 81	Magnet assly. blinker self cancellation	1	
6	39 1225 15	Hex. Nut With Flange	4	
7	DJ 2010 49	Lens For Blinker LH	2	
	DJ 2010 50	Lens For Blinker RH	2	
8	GH 2010 12	Lamp 12V 10W	4	
9	JC 2010 21	Hall Sensor	1	
10	39 2208 04	Bolt	2	For Hall Sensor Mounting
11	36 DJ40 30	Kit Hall Sensor & Magnet -SCB	1	

Tail Lamp Assly / Front & Rear No. Plate



No.	Part No.	Description	Qty. /Veh.	Remarks
1	DK 2010 03	Tail light Assly	1	
2	DH 1612 93	Damper	2	
3	DK 1611 53	Clip Nut	4	
4	59 0100 13	Screw pan cross	4	
5	39 1907 01	Truss Screw	2	
6	39 1972 15	Nut flange	2	
7	30 2010 29	Lamp 12V-4W	1	
8	JW 4010 11	No. Plate illumination	1	
9	DJ 1610 72	Rear No. plate bkt.	1	
10	DP 1611 45	Number plate Rear	1	
11	39 1680 04	Hex Flanged Bolt	2	
12	39 1783 01	Truss Screw	2	For Front No. Plate
13	DP 1611 44	Number plate front	1	
14	JC 1810 26	No. plate mounting bracket	1	
15	39 1062 04	Bolt flange	2	
16	DH 1612 93	Damper front no. Plate	1	
17	JC 1810 25	Front no. plate bracket	1	
18	39 1062 04	Bold Flange M6	2	
19	DJ 1810 83	Sleeve	2	No. Plate Bracket

Electric Component



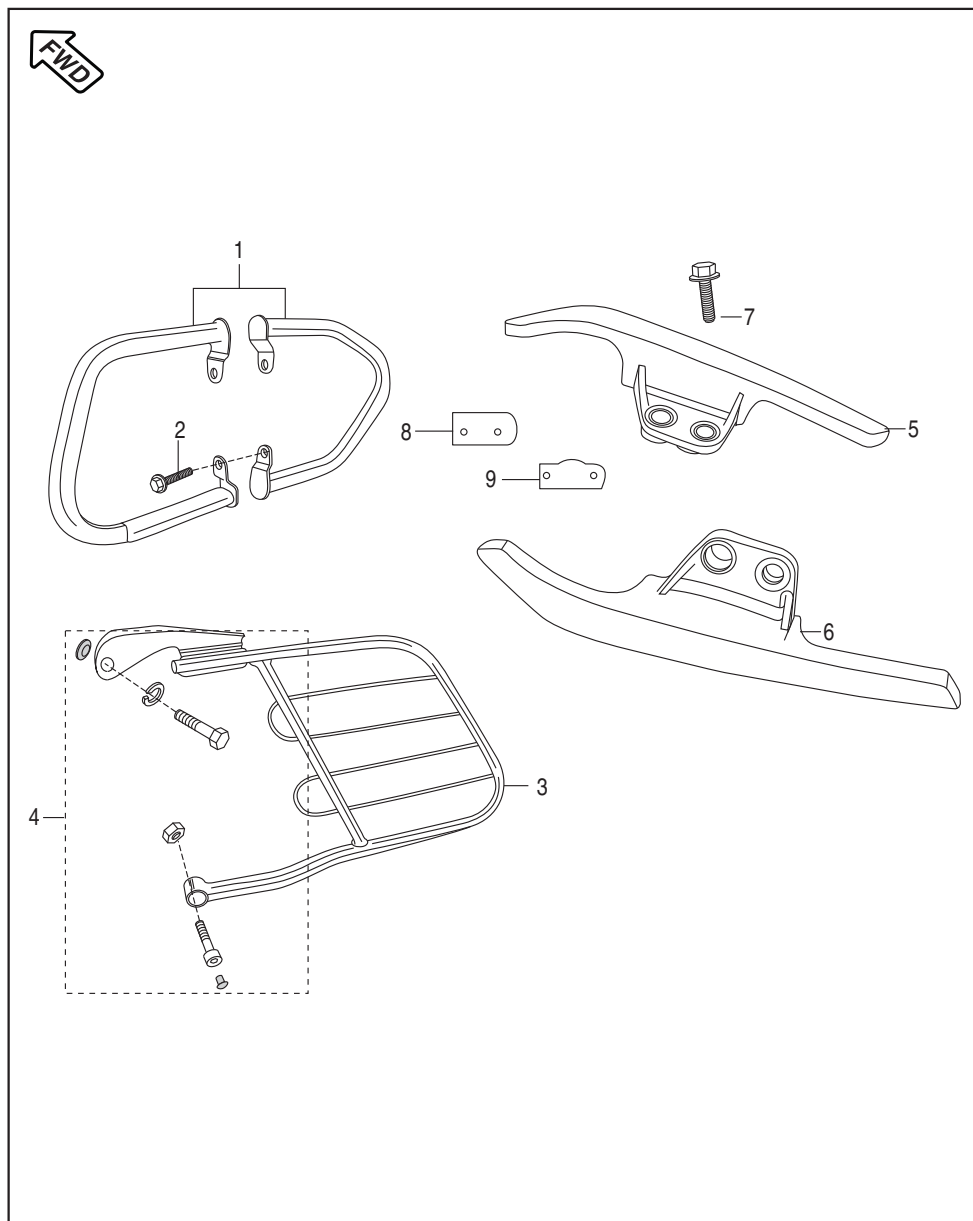
No.	Part No.	Description	Qty./Veh.	Remarks
1	DJ 2011 84 DK 2011 14	Horn with LH stay Horn with LH stay	1 1	From Chassis No. MD2DHDJZZSCC45274
2	DJ 2011 85 DK 2011 15	Horn with RH stay Horn with LH stay	1 1	From Chassis No. MD2DHDJZZSCC45274
3	39 1507 11	Plain Washer	1	
4	39 1956 04	Flange Bolt	1	
5	DJ 2011 25	Battery (12V-9A) mf wet	1	N.S.
6	DJ 1612 47	Band Battery	1	N.I.
7	DJ 2012 05 DJ 2012 50	Wiring Harness Wiring Harness(Vehicle without BCU)	1 1	Ref. Ser. Sir. C-45
8	JC 2010 04	Rear Brake Switch	1	
9	DJ 2010 20	Cable assly. (Battery to St.Relay)	1	
10	JC 2010 16	BCU	1	
11	AL 2010 12 DJ 2010 28	Kill switch relay Kill switch relay	1 1	From 17.11.2009
12	39 1680 04	Flange bolt	1	
13	DK 2010 78	Starter Relay / Damper	1	
14	DJ 2011 40	Cable assly. (Battery to Earth)	1	
15	30 2011 04	Fuse box Assly.	1	
16	30 2010 85	Fuse	1	
17	JC 2010 27	Cable Assly. St. Motor to St. Relay	1	
18	DT 4020 06	Light Control Module (Vehicle without BCU)	1	Ref. Ser. Sir. C-45
19	DJ 1613 27	Bracket LCM Unit (Vehicle without BCU)	1	Ref. Ser. Sir. C-45
20	KA DF06 10	Flange Bolt (Vehicle without BCU)	1	Ref. Ser. Sir. C-45

Tool Kit



No.	Part No.	Description	Qty. /Veh.	Remarks
1	DK 2210 11	Tool Kit	1	
2	DK 2210 24	Band Tool Kit	2	

Accessories / Grab Handle



No.	Part No.	Description	Qty. /Veh.	Remarks
1	36 DK00 33	Kit Leg Gaurd	1	
2	39 2310 04	Flange bolt	4	
3	DK 1611 76	Sari Guard Assly.	1	
4	36 DK00 23	Kit hardware sari guard	1	
5	DK 1611 47	Grab handle LH	1	
	DK 1612 17	Grab handle LH	1	From 17.08.2011
6	DK 1611 48	Grab handle RH	1	
	DK 1612 18	Grab handle RH	1	From 17.08.2011
7	39 2310 04	Bolt Flange	4	
8	DJ 1610 79	Foam LH For grab	1	
9	DJ 1610 80	Foam RH For grab	1	

Sr. No.	Kit Part No.	Kit Description	Consisting of Following Parts		
			Part No.	Description	Qty./Kit
1	36DS1001	Cyl.Head O Ring Kit	39239121	O Ring (Cover tappet)	2
			39128321	O ring	2
2	36DJ1004	Valve Kit	DJ101124	Valve Intake	1
			DJ101125	Valve Exhaust	1
3	DK101326	Valve Repair Kit	DK101247	Retainer valve spring	2
			DK101108	Spring valve inner	2
			DK101110	Spring valve outer	2
			DK101246	Seat valve spring	2
4	36DK0039	Guide Chain Kit	DH101017	Guide chain (Tight)	1
			DK101059	Guide Chain (slack)	1
5	36DK0038	Set primary drive & driven	DH101628	Gear primary drive	1
			DK101561	Clutch Housing	1
6	36DH4019	Kit centrifugal oil filter	39220011	Washer	1
			DH101234	Gasket centrifugal oil filter	1
			DH101640	Oval screw	1
			Dh101066	Join oil dealivery	1
			DH101067	Spring oil delivery	1
			39219908	Pin oil delivery joint	1
7	36DH1004	Set Damper	DH101284	Damper A	1
			DH101285	Damper B	1
			DH101286	Damper C	1
			DH101287	Damper D	1
8	36DH1005	Set of Plate	DH101288	Plate A	1
			DH101289	Plate B	1
			DH101290	Plate C	1
			DH101291	Plate D	1
9	36DH1006	Set Damper	DH101282	Damper Cover Magneto	1
			DH101292	Damper A Cover LH RR	1
			DH101294	Damper B Cover LH RR	1
10	36DH1007	Set of Plate	DH101283	Plate Damper	1
			DH101293	Plate Damper Cover LH RR	1
11	36DH4010	Kit hardware air cleaner	DH121020	Bracket lock	1
			01110609	Plain washer	1
			39178001	Screw pan cross	1
			39177304	Bolt flange	4
			31121043	Coller	3
			39071111	Plain washer	3

Sr. No.	Kit Part No.	Kit Description	Consisting of Following Parts		
			Part No.	Description	Qty./Kit
12	36DK0015	Kit element air filter	DK121002	Element air filter fine	1
			DK121003	Element air filter coarse	1
13	36DH4011	Kit hardware shield	DH101301	Seal shield muflar	2
			DH101395	Trust screw	2
			DH101481	Grommet shield	1
14	36DK0009	Kit hardware silencer	39185004	Flange bolt	1
			39242511	Plain washer	1
			DD161071	U nut	1
			DH161155	Damper silencer	1
			DH161157	Tube silencer mounting	1
15	36DK0011	Kit hardware engine mounting	39231204	Bolt flange	4
			39197015	Nut flange	8
			39241304	Bolt flange	1
			DH161245	U Nut	3
16	36DV0003	Bearing cone kit	DG181045	Bearing cone	1
			DG181047	Bearing race	1
			DG181046	Upper bearing race	1
17	36DK0012	Kit bush rear shock absorber	39071411	Plain washer	8
			39071215	Dome cap nut	2
			39073712	Spring washer	2
18	36DK0013	Kit hardware pillion	DJ161186	Plait side pillion stape	2
			DH161061	Pin pillion set	2
			30141031	"O" ring	2
			39104011	Plain washer	2
			39078408	Split pin	2
19	36JC0007	Kit lever brake	01170122	"O" ring	1
			JC151006	Indicator	1
			JC151007	Lever brake	1
			39244704	Hex. head bold	1
			39079815	Nut	1
20	36DK0036	Chain sprocket kit	DJ151110	Sprocket (36 teeth)	1
			DK151010	Chain	1
			DV101048	Sprocket Drive	1

Sr. No.	Kit Part No.	Kit Description	Consisting of Following Parts		
			Part No.	Description	Qty./Kit
23	36JC0006	Kit hardware rod bracket	30191038	Pin	1
			39019811	Plain washer	1
			39080808	Split pin	1
			JC191008	Spring	1
			JC191006	Pin	1
			JC191007	Brake adjustment nut	1
24	36DK0018	Kit hardware rod torque	39078912	Spring washer	2
			39069415	Nut lock	2
			39080708	Pin snap	2
			39154011	Plain washer	1
25	36DK0019	Kit hardware holder LH	30191024	Screw	1
			30191017	Nut	1
			39021911	Plain washer	1
			39072504	Hex bold	1
26	36DH1601	Grommet kit for side cover	DH161158	Grommet side cover	4
			DH161133	Grommet side cover rear	2
27	36DH4020	Kit hardware mounting bracket	DJ181029	Coller faring mounting	6
			DJ181064	Grommet fearing mounting	6
			39021111	Plain washer	4
			39155204	Flange bolt	4

Part No.	Figure No.	Page No.
22150451	6	52
28101174	14	24
30101014	10	24
30101236	6	48
30141028	10	84
30141039	6	84
30141070	2	84
30151069	5	68
30151095	7	70
30151105	6	68
30161157	2	58
30181028	15	74
30191017	11	72
30201029	7	98
30201085	16	100
30201104	15	100
31101106	16	24
31101173	4	12
31121006	9	10
31161018	12	86
39021111	11	56
39029215	8	54
39042215	10	58
39071111	7	56
39071601	13	94
39072211	26	68
39074011	8	84
39075201	6	24
39078708	3	58
39079415	24	68
39084001	5	62
39090012	6	62
39099906	4	28
39099906	11	26
39104011	15	46
39104119	4	26
39106204	4	70
39106204	15	98

Part No.	Figure No.	Page No.
39106204	18	98
39106901	7	54
39107504	9	2
39118011	28	72
39122411	12	68
39122411	15	50
39122515	6	96
39128215	5	52
39128321	6	28
39150711	3	100
39152401	14	94
39155604	18	86
39160601	3	86
39162011	9	14
39166005	2	4
39167204	3	14
39167204	6	56
39167304	13	8
39167404	2	38
39167404	9	4
39167404	11	14
39167704	19	24
39168004	3	92
39168004	7	48
39168004	8	56
39168004	11	98
39168004	12	100
39168004	20	72
39168606	4	38
39168606	8	14
39168904	11	10
39171404	9	54
39176904	2	66
39177802	2	88
39178001	11	32
39178301	12	98
39184504	11	22
39184704	27	72

Part No.	Figure No.	Page No.
39190204	6	44
39190204	8	86
39190701	5	98
39190701	8	94
39193120	6	12
39194404	17	42
39195604	4	100
39196704	10	46
39197015	5	36
39197215	6	98
39199020	22	26
39199715	13	50
39199715	14	68
39199819	11	20
39201719	5	6
39206004	12	58
39213217	5	10
39214124	5	94
39215220	5	14
39215811	2	16
39215911	13	16
39216011	9	16
39216511	3	12
39218006	8	22
39218006	24	24
39218106	2	10
39218106	18	24
39218304	2	12
39218520	9	24
39218819	4	24
39219019	11	24
39219421	6	38
39220011	16	30
39220307	8	12
39220804	10	96
39224120	2	62
39230504	20	24
39231004	2	104

Part No.	Figure No.	Page No.
39231004	7	104
39231004	13	46
39231104	14	46
39238104	3	84
39238315	17	20
39241204	8	46
39242411	4	86
39242411	19	86
39242704	17	72
39244011	9	6
39244311	18	26
39244811	12	10
39244811	22	24
39245304	6	20
39248415	11	84
39253204	8	2
39253921	6	4
39254220	3	8
39255717	7	14
39256611	15	68
39257104	7	46
39258320	6	22
39260120	9	22
39260320	7	24
39260607	7	18
39260801	11	4
39261720	4	8
39261720	10	30
39263904	6	18
39264715	6	2
39268620	1	68
39268720	4	68
59010013	4	98
59020001	11	86
59040005	18	74
59040031	9	8
59040040	3	56
59040043	11	46

PART INDEX

Part No.	Figure No.	Page No.
59050008	2	24
59050008	3	22
59100002	1	42
59110002	9	6
59200006	8	24
59200007	16	40
59200027	7	22
59210006	5	24
59210019	4	90
36DH1004	19	26
36DH1005	23	26
36DH1006	8	28
36DH1007	11	28
36DH1601	1	86
36DH1902	15	64
36DH4010	2	34
36DH4011	3	36
36DH4015	11	70
36DH4019	13	12
36DH4020	11	94
36DH4030	5	8
36DH4034	14	78
36DH4035	13	78
36DH4037	14	78
36Dh4038	13	78
36DJ1004	7	6
36DJ4023	10	78
36DJ4023	10	78
36DJ4026	1	26
36DJ4029	1	36
36DJ4030	11	96
36DJ4034	1	2
36DJ4037	3	80
36DJ4038	3	80
36DJ4039	3	80
36DJ4040	13	82
36DJ4041	13	82
36DJ4042	13	82

Part No.	Figure No.	Page No.
36DJ4043	9	80
36DJ4044	9	80
36DJ4045	9	80
36DJ4046	4	80
36DJ4047	4	80
36DJ4048	4	80
36DJ4049	12	82
36DJ4050	12	82
36DJ4051	12	82
36DK0009	6	36
36DK0011	4	46
36DK0012	3	50
36DK0013	2	52
36DK0013	6	54
36DK0015	5	34
36DK0019	12	72
36DK0023	4	104
36DK0033	1	104
36DK0036	17	68
36DK0038	9	12
36DK0039	5	8
36DK0084	15	78
36DK0088	15	78
36DK0105	8	80
36DK0106	8	80
36DS1001	1	4
36DS1001	3	2
36DV0003	5	48
36JC0006	6	70
36JC0007	9	68
36JC0008	12	78
36JC0009	12	78
36JC0010	12	78
36JC0011	12	78
52DH0177	10	14
52DH0528	2	76
52DH0529	3	76
52DH0530	2	76

PART INDEX

Part No.	Figure No.	Page No.
52DH0531	3	76
52DH0532	2	76
52DH0533	3	76
52DH0534	2	76
52DH0535	3	76
52DH0624	1	28
52DH0682	7	76
52DH0683	7	76
52DH0686	1	28
52DJ0357	8	78
52DJ0358	9	78
52DJ0359	8	78
52DJ0360	9	78
52DJ0361	8	78
52DJ0362	9	78
52DJ0363	8	78
52DJ0364	9	78
52DJ0390	1	26
52DJ0408	8	78
52DJ0409	9	78
52DJ0416	2	54
52DJ0517	2	80
52DJ0518	2	80
52DJ0519	2	80
52DJ0520	5	80
52DJ0521	5	80
52DJ0522	5	80
52DJ0523	10	80
52DJ0524	11	82
52DJ0525	10	80
52DJ0526	11	82
52DJ0527	10	80
52DJ0528	11	82
52DJ0532	6	80
52DJ0533	7	80
52DJ0534	6	80
52DJ0535	7	80
52DJ0536	6	80

Part No.	Figure No.	Page No.
52DJ0537	7	80
52DJ0545	1	80
52DJ0546	1	80
52DJ0547	1	80
52DK0167	1	54
56DK4527	14	82
56DK4554	14	82
56DK455N	14	82
AA121045	4	34
AL201012	11	100
BA122003	13	84
CL201023	15	94
CS101128	1	8
CS101128	14	8
DD101062	15	8
DD111012	16	42
DD111013	10	42
DD111048	14	42
DD121007	8	10
DD141227	7	84
DE151008	15	62
DE151015	11	64
DE151037	6	66
DE151043	7	66
DE151045	8	66
DE151046	4	66
DE151047	5	66
DE151048	3	66
DE191010	5	64
DE191011	4	64
DF161102	9	58
DF181098	4	94
DG101029	4	6
DG101418	8	26
DG101498	11	2
DG111008	8	42
DG141028	15	84
DG151005	4	62

Part No.	Figure No.	Page No.
DG151007	12	62
DG151008	9	62
DG151049	10	62
DG161124	7	36
DG171018	5	50
DG171019	7	50
DG171020	12	50
DG171021	11	50
DG171022	14	50
DG171034	10	50
DG171038	2	50
DG181008	5	72
DG181008	20	74
DG181042	4	48
DG181045	24	74
DG181048	3	48
DH101006	5	22
DH101018	12	26
DH101048	8	8
DH101064	10	12
DH101065	12	12
DH101072	2	14
DH101079	4	16
DH101084	8	16
DH101111	15	16
DH101141	5	26
DH101142	3	26
DH101144	3	20
DH101146	3	18
DH101152	6	26
DH101154	13	26
DH101157	5	28
DH101163	15	40
DH101172	7	40
DH101180	15	30
DH101195	11	12
DH101197	2	26
DH101199	5	42

Part No.	Figure No.	Page No.
DH101203	12	24
DH101235	5	16
DH101246	13	24
DH101272	10	2
DH101275	1	30
DH101295	8	6
DH101302	9	36
DH101319	18	16
DH101323	10	28
DH101333	19	16
DH101336	11	16
DH101380	7	42
DH101381	4	42
DH101382	9	40
DH101383	4	22
DH101383	24	16
DH101385	5	40
DH101386	3	42
DH101388	9	28
DH101388	20	26
DH101389	13	40
DH101392	11	8
DH101393	7	20
DH101394	10	20
DH101412	7	8
DH101414	10	10
DH101468	2	36
DH101482	24	26
DH101487	10	22
DH101493	4	18
DH101496	9	18
DH101503	8	20
DH101508	4	4
DH101509	5	20
DH101510	25	26
DH101521	8	36
DH101544	17	26
DH101581	4	40

Part No.	Figure No.	Page No.
DH101608	10	36
DH101648	14	30
DH101661	15	24
DH101705	1	20
DH101714	2	20
DH101861	8	30
DH111012	10	4
DH111015	15	42
DH111016	18	42
DH111081	2	42
DH111083	6	42
DH111084	10	40
DH121001	1	38
DH121010	3	38
DH121011	15	26
DH121012	16	26
DH121035	5	38
DH121038	8	4
DH121101	9	32
DH121149	3	32
DH121150	13	32
DH141020	6	76
DH141023	6	86
DH141024	14	84
DH141031	2	86
DH151029	8	70
DH161046	3	44
DH161053	4	52
DH161056	7	52
DH161066	7	58
DH161100	11	54
DH161112	2	48
DH161121	4	58
DH161145	5	58
DH161146	8	58
DH161161	9	46
DH161189	2	46
DH161190	3	46

Part No.	Figure No.	Page No.
DH161283	2	92
DH161293	2	98
DH161293	16	98
DH171019	8	50
DH171019	8	62
DH171019	13	68
DH181009	12	74
DH181052	10	94
DH191007	13	72
DH191014	14	72
DH191017	25	72
DH191019	15	72
DH401020	16	84
DH73032V	4	76
DH73034K	4	76
DH73034L	4	76
DH73034M	4	76
DH73035L	4	76
DH74012V	7	76
DH74014K	7	76
DH74014L	7	76
DH74014M	7	76
DH74015C	7	76
DJ101004	1	10
DJ101012	3	4
DJ101063	23	16
DJ101064	4	36
DJ101106	4	10
DJ101133	6	14
DJ101134	4	14
DJ101158	3	10
DJ101215	5	4
DJ101217	2	2
DJ101271	1	28
DJ101278	12	40
DJ101300	24	16
DJ101350	3	30
DJ101369	6	30

Part No.	Figure No.	Page No.
DJ101371	6	10
DJ101373	2	8
DJ101389	1	22
DJ101390	1	2
DJ101391	1	36
DJ101657	1	26
DJ101662	10	36
DJ101672	1	22
DJ111092	9	42
DJ121022	7	4
DJ121041	1	32
DJ121044	4	32
DJ121051	2	32
DJ121053	5	32
DJ121054	6	32
DJ121055	7	32
DJ121056	8	32
DJ121057	12	32
DJ121059	14	32
DJ121068	3	34
DJ121070	10	32
DJ121071	1	34
DJ141006	12	84
DJ141008	7	86
DJ151074	9	66
DJ151075	10	66
DJ151088	3	68
DJ161069	1	56
DJ161072	9	98
DJ161079	8	104
DJ161080	9	104
DJ161122	5	54
DJ161126	1	52
DJ161127	3	52
DJ161128	3	54
DJ161129	4	54
DJ161132	8	48
DJ161133	9	48

Part No.	Figure No.	Page No.
DJ161186	10	54
DJ161228	13	28
DJ161229	12	94
DJ161247	6	100
DJ161272	10	56
DJ161295	10	78
DJ161296	10	78
DJ161297	10	78
DJ161298	10	78
DJ161304	10	78
DJ161305	10	78
DJ161306	10	78
DJ161314	10	78
DJ161324	2	54
DJ161327	19	100
DJ171035	4	50
DJ181011	16	72
DJ181033	3	94
DJ181037	7	94
DJ181069	16	94
DJ181083	19	98
DJ181119	3	88
DJ181120	2	94
DJ191006	3	64
DJ191023	1	64
DJ191027	6	64
DJ191028	7	64
DJ191029	8	64
DJ191030	9	64
DJ191031	10	64
DJ191034	13	64
DJ191035	14	64
DJ191054	8	72
DJ191055	9	72
DJ191061	1	90
DJ191071	1	88
DJ191084	1	88
DJ201020	9	100

Part No.	Figure No.	Page No.
DJ201021	21	24
DJ201028	11	100
DJ201049	7	96
DJ201050		96
DJ201072	9	94
DJ201100	12	64
DJ201106	13	58
DJ201108	16	64
DJ201125	5	100
DJ201132	1	94
DJ201140	14	100
DJ201159	5	88
DJ201174	4	88
DJ201176	1	94
DJ201181	5	96
DJ201184	1	100
DJ201185	2	100
DJ201190	7	88
DJ201195	21	72
DJ201202	11	42
DJ201205	7	100
DJ201206	3	96
DJ201207	4	96
DJ201208	1	96
DJ201209	2	96
DJ201230	17	94
DJ201250	7	100
DJ221003	29	72
DJ221004	30	72
DJ71075F	1	76
DJ71075G	1	76
DJ72012V	1	76
DJ72014K	1	76
DJ72014L	1	76
DJ72014M	1	76
DJ72015C	1	76
DJ902503	1	14
DK101072	12	30

Part No.	Figure No.	Page No.
DK101094	3	24
DK101097	23	24
DK101102	6	16
DK101103	3	16
DK101104	7	16
DK101105	12	16
DK101106	14	16
DK101107	17	16
DK101118	16	16
DK101126	13	30
DK101133	1	18
DK101134	2	18
DK101135	10	18
DK101144	10	16
DK101176	6	40
DK101177	16	20
DK101180	13	20
DK101182	4	20
DK101185	14	20
DK101186	15	20
DK101187	12	20
DK101245	20	16
DK101248	7	12
DK101251	7	26
DK101253	9	20
DK101326	6	6
DK101352	21	16
DK101361	8	18
DK101380	17	24
DK101382	5	18
DK101471	1	16
DK101480	14	12
DK101480	14	26
DK101564	4	30
DK101565	7	30
DK101569	5	30
DK101570	17	30
DK101571	2	30

Part No.	Figure No.	Page No.
DK101573	11	30
DK101574	9	30
DK101592	7	10
DK101595	1	40
DK101596	14	40
DK101605	2	40
DK101636	15	30
DK101717	16	16
DK101718	14	16
DK101719	19	16
DK101721	17	16
DK101722	1	20
DK101722	3	20
DK101725	8	20
DK101732	5	18
DK101738	21	26
DK101748	1	6
DK101751	2	6
DK101755	3	6
DK101762	7	28
DK101770		40
DK121008	7	34
DK121015	6	34
DK141013	5	84
DK141014	1	84
DK141015	21	86
DK141017	20	86
DK151008	13	62
DK151009	10	68
DK151012	19	68
DK151013	20	68
DK151014	11	68
DK151015	23	68
DK151022	2	68
DK151026	5	60
DK151027	7	62
DK151028	3	62
DK151036	25	68

Part No.	Figure No.	Page No.
DK151037	2	64
DK151039	2	60
DK151040	4	60
DK151054	1	66
DK161085	9	56
DK161086	5	56
DK161096	1	46
DK161098	2	56
DK161122	1	58
DK161123	9	86
DK161124	10	86
DK161137	1	54
DK161142	1	92
DK161147	5	104
DK161148	6	104
DK161153	3	98
DK161159	5	46
DK161160	6	46
DK161161	12	46
DK161176	3	104
DK161209	6	88
DK161217	5	104
DK161218	6	104
DK161250		92
DK161308	1	54
DK171003	9	50
DK171006	6	50
DK181006	7	74
DK181007	6	74
DK181010	8	74
DK181011	10	74
DK181014	11	74
DK181017	29	74
DK181018	17	74
DK181018	30	74
DK181019	3	74
DK181020	28	74
DK181021	2	74

Part No.	Figure No.	Page No.
DK181022	13	74
DK181023	14	74
DK181024	25	74
DK181025	26	74
DK181026	27	74
DK181027	1	72
DK181027	19	74
DK181031	31	72
DK181032	3	72
DK181036	22	72
DK181039	4	72
DK181046	23	72
DK181047	24	72
DK181048	12	56
DK181050	10	48
DK181051	11	48
DK181056	4	74
DK181057	5	74
DK181070	9	74
DK181071	16	74
DK181072	1	74
DK181081	4	72
DK181082	23	72
DK181085	3	72
DK181086	24	72
DK191013	3	70
DK201003	1	98
DK201065	4	84
DK201065	9	84
DK201078	13	100
DK201114	1	100
DK201115	2	100
DK211001	1	44
DK211004	4	44
DK211007	7	44
DK211008	5	44
DK221011	1	102
DK221024	2	102

Part No.	Figure No.	Page No.
DK73042V	5	76
DK73044K	5	76
DK73044M	5	76
DK7402X3	5	76
DL181010	6	94
DL191014	10	72
DP161144	13	98
DP161145	10	98
DS101084	7	2
DS101096	5	2
DS101154	5	12
DS101166	4	2
DS101215	9	26
DS101276	6	8
DS101333	3	6
DS101335	1	6
DS101336	2	6
DS101353	3	28
DS101353	10	26
DS101353	11	40
DS101353	12	28
DS101366	8	6
DS121117	8	34
DS151073	22	68
DS151074	18	68
DS161125	4	56
DS161224		92
DS191052	18	72
DS211004	8	44
DS211005	2	44
DT402006	18	100
DV101042	2	28
DV101048	22	16
GH201012	8	96
JC101001	1	12
JC101029	2	22
JC101033	7	28
JC101034	12	8

Part No.	Figure No.	Page No.
JC101035	10	8
JC101040	21	26
JC101045	1	24
JC101114	3	40
JC101115	8	40
JC111022	12	42
JC111023	13	42
JC141015	15	86
JC141016	17	86
JC141017	16	86
JC141050	11	78
JC141051	11	78
JC151002	8	68
JC151005	7	68
JC151007	27	68
JC151008	9	70
JC151010	3	60
JC151011	16	68
JC151013	1	60
JC151013	1	62
JC151016	21	68
JC151020	11	62
JC161002	2	54
JC161015	17	46
JC161017	6	58
JC161028	16	46
JC161031	1	48
JC171003	1	50
JC181022	22	74
JC181023	21	74
JC181024	23	74
JC181025	17	98
JC181026	14	98
JC181029	5	86
JC181029	26	72
JC191001	1	70
JC191002	5	70
JC191004	3	90

Part No.	Figure No.	Page No.
JC191009	2	70
JC201004	8	100
JC201004	10	70
JC201016	10	100
JC201017	6	72
JC201018	7	72
JC201021	2	72
JC201021	9	96
JC201027	17	100
JC201039	11	58
JC201045	19	72
JC201046	14	62
JC201049	2	90
JD171018	14	86
JE541212	10	28
JF401400	6	72
JF401401	7	72
JG131219	3	68
JM171003	11	50
JM171004	12	50
JW171007	13	86
JW401011	8	98
KADF0610	20	100
KEBA3715	25	24
LAC00020	27	72
LAD00028	13	56